

KEY FEATURES & BENEFITS

USB 2.0 High Speed Operation
 USB Connectivity Provides Fast and Friendly Initial Installation

3-Axis Pan Tilt Joystick
 High Performance and Fast Response Vector solving and Twisting Return-To-Center Head

Redundant Power Source
 Accepts 9VDC Battery or 12VDC power adapter

PC Mouse Functionality
 Simulates PC or NVM1000 Software mouse functionality allowing access to the PTC800 controls

Rugged and Compact
 High Durability Hardware Button and Joystick Design for High Demand Applications

User Password Support
 Independent Key, Joystick Lock and Unlock Access Control to Ensure Authorized Personnel Access

Seamless Operation with Inscape Data's NVM1000 64-Channel Software
 Full Pan Tilt and Zoom Control of Inscape Data's PTZ Enabled IP Cameras and Servers. Program and Execute Preset, Tours, Scan, and Many More Functions with the PTC800



AirGoggle™ PTC800 Professional IP Video Joystick

The Inscape Data PTC800 Surveillance Joystick is developed to use with Inscape Data AirGoggle PTZ network video systems. The flexible and rugged mechanical design allows for fast, flexible, and secure pan, tilt, and zoom control of Inscape Data network video systems. The PTC800 has a rugged three-axis proportional joystick for precise and reliable user operation. The USB interface allows for easy plug-and-play operation with any PC. The PTC800 operates seamlessly with our free NVM1000 64-channel surveillance software extending the AirGoggle video surveillance system even farther. The Programmable user preferences, user password support, and rugged 3-axis joystick design make the AirGoggle PTC800 the industry's most cost competitive video surveillance joystick.

APPLICATIONS



AIRPORTS
 Regardless if it is inside or outside of an airport, Inscape Data offers total wired or wireless IP based video security solutions that will save on your installation cost and make your monitoring more efficient



METROPOLITAN STREETS
 Inscape Data's wired and wireless IP based video security solutions will save on your installation cost and make the streets and metropolitan safer

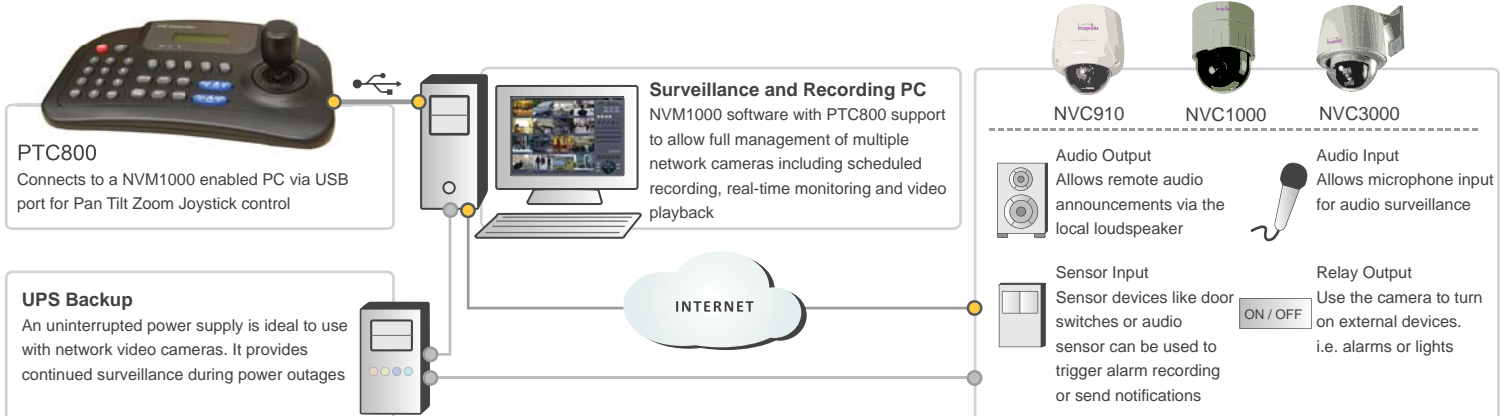


BUILDINGS
 Inscape Data's wired and wireless IP based video security solutions will save on your installation cost and make your buildings more secure



SCHOOL CAMPUS
 Regardless if it is inside classrooms or on a campus, Inscape Data's wired and wireless IP based video security solutions will save on your installation cost and make monitoring easier

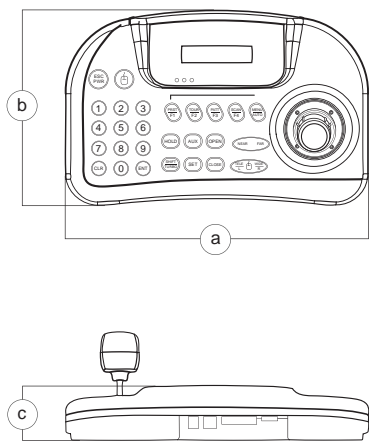
SYSTEM CONFIGURATIONS



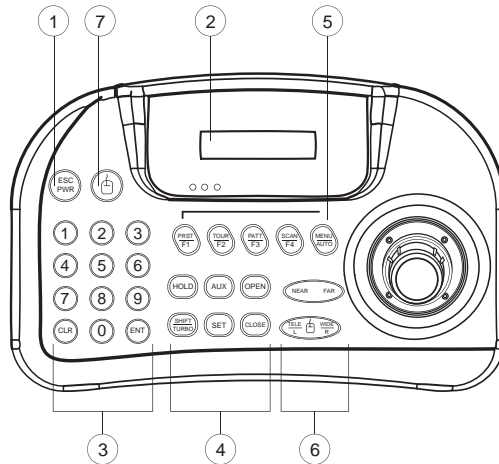
PTC800

Joystick	3-axis, vector solving, with twisting, return-to-center head
USB Port	USB 2.0, Mouse function
Input Voltage	12VDC or Battery 9VDC
Power Consumption	Max. 140mA
LCD Display	16 character x 2 lines
Operating Temperature	0°C to 45°C
Humidity	10% to 70% Non Condensing
Dimensions (mm) & Weight	280 (W) X 174(D) 92(H), Net: 0.7Kg, Gross: 1.7Kg

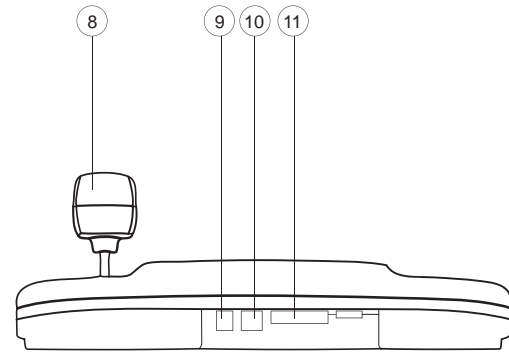
SYSTEM DIMENSIONS & INTERFACES



a. 280 mm b. 174 mm c. 92 mm



- 1. Power
- 2. 16x2 LCD Display
- 3. Numeric Keypad 0 - 9
- 4. Controller Function Keys
- 5. PTZ Camera Function Keys
- 6. Left and Right PC Mouse Click
- 7. Activate PC Mouse



- 8. PTZ Joystick with Rotational Zoom
- 9. DC 12V Input
- 10. USB Port
- 11. RS-485/RS-422 Port

PACKAGE CONTENTS

- 1. PTC800 Surveillance Joystick
- 2. AC/DC Power Adapter Output: 12VDC / 1.5A
- 3. 9VDC Battery
- 4. USB Cable
- 5. Product CDROM
- 6. Terminal Block (8p)

COMPATIBILITY

NVM1000 Version 4.3 or higher



THE LEADING
OUTDOOR NETWORK
APPLIANCE COMPANY

Product Information Online: <http://www.inscapedata.com/airgogglejoystick.htm>

Corporate Headquarters
1620 Oakland Road, Suite D101, San Jose, CA 95131, U.S.A.
PHONE +1.408.392.9800 FAX +1.408.392.9812
EMAIL sales@inscapedata.com

Total Turnkey Solutions for Outdoor PoE, Wired/Wireless, and IP Video Applications

© Copyright 2011, Inscape Data Corporation, All Rights Reserved. LinkPower, AirEther, AirGoogle and Inscape Data are trademarks of Inscape Data Corporation

Disclaimer: While every effort is made to ensure the information given is accurate, Inscape Data Corporation does not accept liability for any errors or mistakes which may arise. All specifications are subject to change without notice.