



LinkPower™ PIS1060

10/100/1000Mbps 60W

Hi-Power PoE Injector

Inscape Data's LinkPower™ PIS1060 single port Gigabit 60W high power PoE injector supports LT PoE++ standard and can be backward compatible with IEEE 802.3af /at PoE standards. The maximum PoE output power is 60W, the total power is 65W. There are 2x RJ45 ports. One is linked the upper switch or other upper network devices. And another network port is used as the port that integrated PoE power output and network data. It offers convenience for installation and use of high power network dome cameras or other high power IP devices.

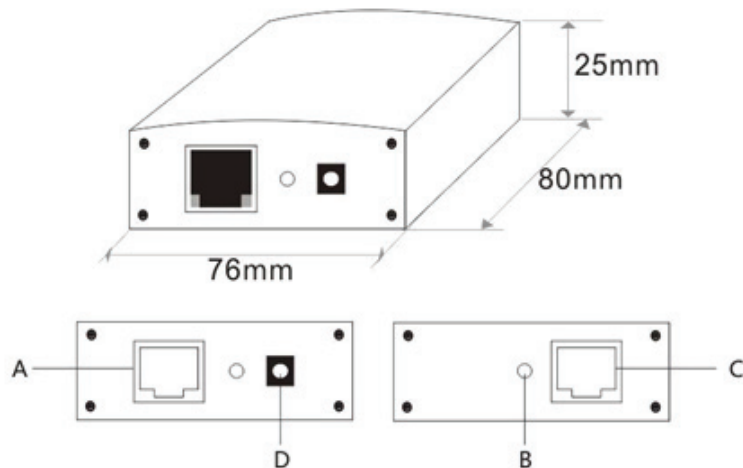
KEY FEATURES

- 2x 10/100/1000Mbps RJ45 ports
- Supply DC power to all 5 PoE classes Ethernet network surveillance cameras
- Support network port, lightning-proof power input port (the secondary lightning protection)
- Support LT PoE++ standard, and compatible with IEEE802.3af/at standards
- Single PoE port output power is 60W and the total power is 65W, the voltage is 50~57V
- No fans, natural cooling, small and exquisite, no noise design, suitable for desktop or wall

LED INDICATOR DESCRIPTION

Indicator	Status	Description
DC Power Green LED	ON	Power On, Working Properly
	OFF	Power Off
PoE Power Green LED	ON	Powered Device Connected, Working Properly
	Blink	Short Circuit or Current Overload
	OFF	Powered Device Not Connected, or No Power Supply

PRODUCT DISPLAY



A: RJ45 to Ethernet Switch or LAN
D: DC Input, 24V DC Adapter

B: PoE Status LED Light
C: PoE Output to An 802.3af Powered Device



High Power IP Video Surveillance

Power and protect your outdoor high power IP video cameras with Inscape Data's LinkPower™ PIS1060 10/100/1000Mbps Hi-Power 60W 1-Port PoE Injector. Protecting your IP video RJ45 interface maximizes the lifetime of your outdoor IP video systems and minimize maintenance and truck roll outs caused surge related failure of outdoor IP video equipment.



Wireless Data Communication

Power and protect your Ethernet based radio communication equipment with Inscape Data power over Ethernet and surge protection equipment. Power over Ethernet is a cost effective means to power your PoE enabled radios. Ethernet surge protection will maximize the reliability of your outdoor communication system and minimize premature failures.



Campus Network

Power and protect your Ethernet based campus wide area networks. As devices migrate towards a IP network centric architecture, ensuring the wireless or hard wired network backbone is up and functioning becomes mission critical. The dependence of IP video, network resource sharing, voice conferencing, remote learning, and many more devices on the campus network are increasing and maintaining a reliable network backbone is crucial for the successful operation of an establishment.



Security

Network centric security devices have proven their return on investment and usefulness by providing smart access to gates, real time assessment to situations, actionable event triggers for remote security access, and many more. Ensuring the maximum reliability and uptime of security device is critical to minimize security related risks and maximize safety.

Technical Specifications

Product Name	10/100/1000M 60W Single Port PoE Injector
Product Model	LinkPower™ PIS1060
Connector Type	2x 10/100/1000M copper cable RJ45 ports
Network Medium	1000BASE-TX: Cat5 or higher UTP(≤100 meters)
Temperature Resistance	≤80°C
Performance Specifications	Working Speed:10/100/1000Mbps
	Network Port Protection: meet the IEC61000-4-2(ESD)
	MTBF: 100,000 hours
Network Protocols and Standards	IEEE 802.3i 10BASET
	IEEE 802.3u 100BASETX
	IEEE 802.3x Flow Control
	IEEE 802.1ab 1000BASET
	IEEE 802.3af DTE Power via MDI
	Support LT PoE++ standard, and downward compatible with IEEE 802.3af/IEEE 802.3at
LEDs Indicator	PoE working status
PoE Feature	The total DC power: 65W
	Single PoE Port Output DC Power: 60W
	DC Voltage: 50-57V, Input Voltage: 120V ~240V
Dimension / Weight	80 x 76 x 25mm / 0.12kg
Working Environment	Working Temperature: -20°~ 55°C, Storage Temperature: -20°~ 75°C
	Working Humidity: 10% ~ 90%, non-condensing, Storage humidity:10% ~ 95%,non-condensing
Warranty	CE mark, commercial, FCC Part 15 Class B, RoHS
	3-year warranty



United States Headquarters 1620 Oakland Road, Suite D101, CA 95131, U.S.A.
 PHONE +1.408.392.9800 TOLL FREE +1.888.267.4507 FAX +1.408.392.9812 EMAIL sales@inscapedata.com

Revision 1.0