



## KEY FEATURES & BENEFITS

- ▶ **Dual-Codec supporting H.264 & Motion JPEG digital video compression standards**
- ▶ **Multi-profile streaming**  
Up to 3 streams of different resolutions, frame rates and codec selections
- ▶ **Vandal Proof and IP66 Weather Resistant**  
High impact vandal proof poly carbonate clear dome cover and reinforced aluminum chassis with heater and blower to ensure reliable and durability in the harshest indoor or outdoor operating environment
- ▶ **Mobile Phone Support**  
Supports the latest Iphone & Android smart phones for real time 24x7 access to the video information most important to you
- ▶ **Synchronized Audio/Video and Two-Way Audio Communication**  
Audio line in and line out interface(s) with software selectable audio feature provides synchronized audio surveillance and announcement capabilities from the monitoring station
- ▶ **Event Driven Real-Time Notification**  
The integrated sensor input, alarm output, and video motion detection provides actionable event trigger functionality able to send a video clip via email or FTP and turn on/off external relays
- ▶ **Embedded Streaming Web Server**  
The suite of functions from the embedded streaming web server make accessing real-time video easy from any Internet Explorer enabled computer
- ▶ **Intelligent Full Featured Pan Tilt Zoom and Programming**  
Pan and tilt speeds are automatically adjusted based on zoom level during manual control to provide 0.024 degrees precision. Auto scan, 8 group tours, 165 preset positions, 8 programmable patterns and sectors, 4 privacy masking zones, and multiple I/O ports allows precise customized pan tilt zoom automation. Each preset locations can be individually programmed with the dwell time and pan/tilt speed
- ▶ **Optional flash memory for local storage**

## AirGoggle™ NVC910H Series H.264 Vandal Resistant IP Mini Speed Dome Video Camera

AirGoggle NVC910H Series H.264 Vandal Resistant IP Mini Speed Dome Video Camera uses a dual codec supporting H.264 & Motion JPEG digital video compression standards. The high quality lens uses DC-iris control for improving the depth of field and protecting the sensor at intensely illuminated scenes. The NVC910H supports 12x optical zoom and 16x digital zoom, and the total zoom is 192x with optical and digital zoom for remote monitoring over the Internet.

Another powerful features include optional flash memory for local storage and multiple simultaneous video streams of differentiated resolutions and frame rates, and these two powerful features will secure video storage if the network becomes unavailable and ensure the highest video quality service while enabling simultaneous connections through lower speed networks. Other key features including built-in PoE and analog video output that will add convenience in the installation while saving the installation cost.

The NVC910H Series H.264 IP Vandal Resistant IP Mini Speed Dome Video Camera is designed with a mini dome style housing and presents friendly looking appearance that can be blended with surrounding structure more smoothly, i.e., ceiling or wall, and it is the best choice when a traditional camera design is preferred for deterrence. The viewing direction is set once the camera is mounted. The megapixel resolution allows important areas like entrances or checkouts to be monitored in great detail.

## APPLICATIONS



AIRPORTS



BUILDINGS



METROPOLITAN STREETS

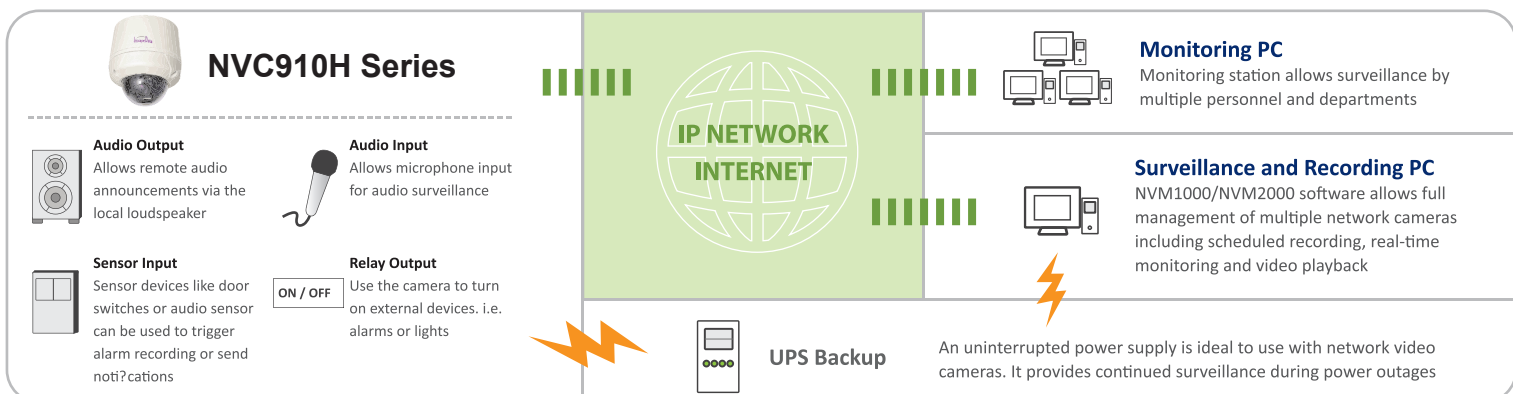


SCHOOL CAMPUS

## MODEL SELECTIONS

Model	Color	D/N Day:color Night: Black/White	Heater
NVC910H-DN	✓	✓	
NVC910H-DN-H	✓	✓	✓

## APPLICATIONS



Camera Part (PTZ Mechanism, Camera Module)				
Pan / Tilt	Pan Rotation Angle		360° Endless	
	Pan Speed	Manual	Max 150°/sec (64 Step)	
		Preset	Max 250°/sec	
	Tilt Rotation Angle		-2° ~ 90°	
	Tilt Speed	Manual	Max 150°/sec (64 Step)	
		Preset	Max 250°/sec	
Presets		220 positions		
Functions	Group Scanning	8 Programmable group tours(each one consisting of up to 60 preset steps with different steps)		
	Auto Scan	Programmable Auto Scan		
	Alarm Input / Output	2 Sensor Inputs, 1 Relay Output		
	Alarm Actions	Activate preset, Group scanning or output per alarm input		
	Auto Flip	ON / OFF		
	OSD Menu	Yes		
	Communication	RS-485		
	Protocol	Multiple protocols including Pelco-DIP		
	Others	Motor Type	2 Phase Stepping motor, 1/4 Micro Step	
		Image Sensor	1/4" Sony Super HAD CCD	
Camera Module	Total Image Pixels	NTSC	811(H) * 508(V) 410K	
		PAL	795(H) * 596(V) 470K	
	Number Of Effective Pixels	NTSC	768(H) * 494(V) 380K	
		PAL	752(H) * 582(V) 440K	
	Horizontal resolution		Color : 580TVL, B/W : 680 TVL	
	Zoom	Optical	12x Optical Zoom f=3.94 ~ 46.05mm(F 1.67 ~ 1.88)	
		Digital	16x (Total 192x with Optical)	
	Day & Night (ICR)		Auto / Day / Night	
	Digital Slow Shutter		ON / OFF	
	Min. Illumination	Normal Mode	0.2Lux / F1.6 (Color : 50IRE)	
		Night Mode	0.04Lux / F1.6 (B/W : ICR ON)	
	Luminance S/N Ratio		More than 52dB	
	Video Output		Composite video output 75 ohm terminated	
	BLC		ON / OFF	
	HLC		ON / OFF	
SSNR		ON / OFF		
SSDR		ON / OFF		
DIS		ON / OFF		
Flickerless	NTSC	ON / OFF (1/100)		
	PAL	ON / OFF (1/120)		
WHITE BALANCE		AWB / ATW / INDOOR / OUTDOOR		

Video Part			
Compression method	Simultaneous Dual Codec (H.264 / MJPEG)		
Resolution	NTSC	PAL/SECAM	
	720x480(Full D1), 640x480(VGA)	720x576(Full D1), 640x480(VGA)	
	720x240(half D1), 352x240(CIF), 176x112(QCIF)	720x288(half D1), 352x288(CIF), 176x112(QCIF)	
	- 5 simultaneous video profiles - Select the codec type, resolution and frame rates for each profile.		
Intelligent Bit-Rate Control	Hybrid Bitrate Control (VBR+CBR)		
PTZ	Digital PTZ & video crop		
Image Setting	Text overlay, Privacy mask, De-interlace filter		
Motion detection	3 regions		
Motion tracking	Intelligent motion tracking		

Audio Part	
Mono Upstream	32Kbps G.726 ADPCM ~ LINE-in / MIC-in
Mono Downstream	128Kbps 16-bit Linear PCM ~ LINE-out(1Vp)

Network	
Network Protocol	- IPv4/v6, TCP, UDP, ICMP, ICMPv6, ARP, RARP, PPPoE, RTP, RTSP, SDP, HTTP, HTTPS, SMTP, FTP, DHCP, UPnP, SNMP - NTP, DNS, DynDNS, SOCKS
Dynamic IP	Supported (through iCanTek's management server)
Security	- User ID & Password protection, IP address filtering - HTTPS encryption, Digest Authentication, User Access Log

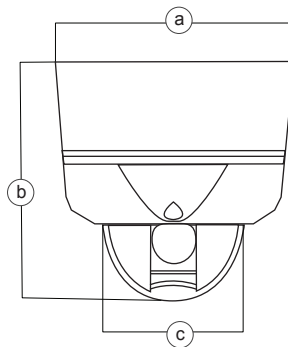
External Terminals	
LAN	10/100BaseT LAN (auto MDIX)
Analog output	1 channel D1 CVBS output of the encoding video
RS-485	RS-485 for external PTZ device
Alarm input / output	Alarm I/O (2 Sensor input & 1 Relay output)
Factory Reset	Supported
other	Two Stereo Jack / 12VDCin

System Integration	
Intelligent Video	Motion Detection + IVS module(option)
Alarm Triggers	Intelligent Video + Sensor input
Alarm Events	video file upload(FTP), still Image(Email), PTZ presets, Relay output
Video Buffer	00 sec Pre-alarm & 00 sec Post-alarm
PTZ control	00 presets, guard tour, PTZ control queue
3G mobile	3G mobile phone support

Operating Environment, Power, Dimensions	
Operating Temperature	-Without heater : -10°C ~ 50°C(14°F ~ 122°F) -With heater : -40°C ~ 50°C(-40°F ~ 122°F)
Operating Humidity	8~80% RH
Power	12VDC, 1.33A / 16W (12VDC 1.8A with Heater, 22W)
Dimensions (W x D)	157mm(6") * 178mm(7")
Weight	2kg
Casing	AL, cool gray
Approvals	FCC, CE, IP66, MIC

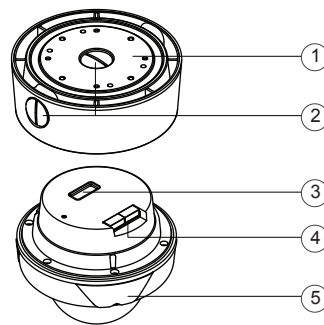
**Dimensions**

- a. 167 mm
- b. 157 mm
- c. 100 mm



**System Interfaces**

1. Surface Mount Adaptor
2. Cap Screw ( PT3/4 , 2EA )
3. Dip Switch
4. Terminal Block
5. Main body



**MOUNTING OPTIONS**

**Wall Mounting**



**Wall Mounting with Junction Box**



**Wall Mounting with Junction Box & Wiring Kit\***



**Pole Mounting**



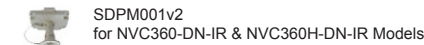
**Corner Mounting**



**Embedded Mounting**



**Ceiling Mounting**



\* Wiring kit junction box for Ethernet, Power, Relay, I/O Port, RS485

**COMPATIBILITY**

**NVM1000\***    **NVR100\***    **NVM2000\*\***    **PTC800\*\***

\* Included with purchase    \*\* Available for purchase

**PACKAGE CONTENTS**

1. NVC910 12x PTZ Speed Dome Camera (Ceiling Mount)
2. Product CDROM
3. Installation Screws x5
4. Viewer / Recorder Software
5. I/O Terminal Block (5 Pin 2EA)
6. Power Supply



THE LEADING  
OUTDOOR NETWORK  
APPLIANCE COMPANY

Product Information Online: <http://www.inscapedata.com/nvc910.htm>

Corporate Headquarters  
1620 Oakland Road, Suite D101, San Jose, CA 95131, U.S.A.  
PHONE +1.408.392.9800 FAX +1.408.392.9812  
EMAIL sales@inscapedata.com

Total Turnkey Solutions for Outdoor PoE, Wired/Wireless, and IP Video Applications