



KEY FEATURES & BENEFITS

- ▶ **H.264 & MJPEG Dual Codec Operation**
State of the art H.264 digital video encoding allows for the highest quality D1 video at the lowest bandwidth possible. Motion JPEG (MJPEG) digital still video encoding allows for high quality recording and playback
- ▶ **Multiprofile Streaming**
High performance streaming profiles offers 3 streams of different resolution & frame rates providing IP video flexibility for the most demanding IP video applications
- ▶ **IR Compatible Day and Night Operation**
Available with all but the NVC800H, the day & night features provides filter removable color operation for day-time and black/white operation for night time operation. Integrated IR LED design
- ▶ **Mobile Phone Support**
Supports the latest Iphone & Android smart phones for real time 24x7 access to the video information most important to you
- ▶ **Vandal Proof and IP66 Weather Resistant**
High impact vandal proof poly carbonate clear dome cover and reinforced aluminum chassis with heater and blower to ensure reliable and durability in the harshest indoor or outdoor operating environment
- ▶ **Synchronized Audio/Video and Two-Way Audio Communication**
Audio line in and line out interface(s) with software selectable audio feature provides synchronized audio surveillance and announcement capabilities from the monitoring station
- ▶ **Event Driven Real-Time Notification**
The integrated sensor input, alarm output, and video motion detection provides actionable event trigger functionality able to send a video clip via email or FTP and turn on/off external relays
- ▶ **Embedded Streaming Web Server**
The suite of functions from the embedded streaming web server make accessing real-time video easy from any Internet Explorer enabled computer
- ▶ **Optional flash memory for local storage**

AirGoggle™ NVC800H Series

H.264 Professional Weatherproof Fixed IP Video Camera

AirGoggle NVC800H Series H.264 Professional Weatherproof Fixed IP Video Camera uses a dual codec supporting H.264 & Motion JPEG digital video compression standards. The NVC800H H.264 Weatherproof Fixed IP Video Camera is designed for outdoor installation based on IP66 compliant weatherproof housing with an easy-to-install mounting bracket. Another powerful features include optional flash memory for local storage and multiple simultaneous video streams of differentiated resolutions and frame rates, and these two powerful features will secure video storage if the network becomes unavailable and ensure the highest video quality service while enabling simultaneous connections through lower speed networks.

The NVC800H Series H.264 Professional Weatherproof Fixed IP Video Camera is designed with an IP66 weatherproof housing for outdoor installations. The NVC800 is offered in four sub-models based on the 16mm or 22mm vari-focal section or heater option to tackle the most demanding IP video applications.

APPLICATIONS



AIRPORTS
Regardless if it is inside or outside of an airport, Inscape Data offers total wired or wireless IP based video security solutions that will save on your installation cost and make your monitoring more efficient



METROPOLITAN STREETS
Inscape Data's wired and wireless IP based video security solutions will save on your installation cost and make the streets and metropolitan safer



BUILDINGS
Inscape Data's wired and wireless IP based video security solutions will save on your installation cost and make your buildings more secure

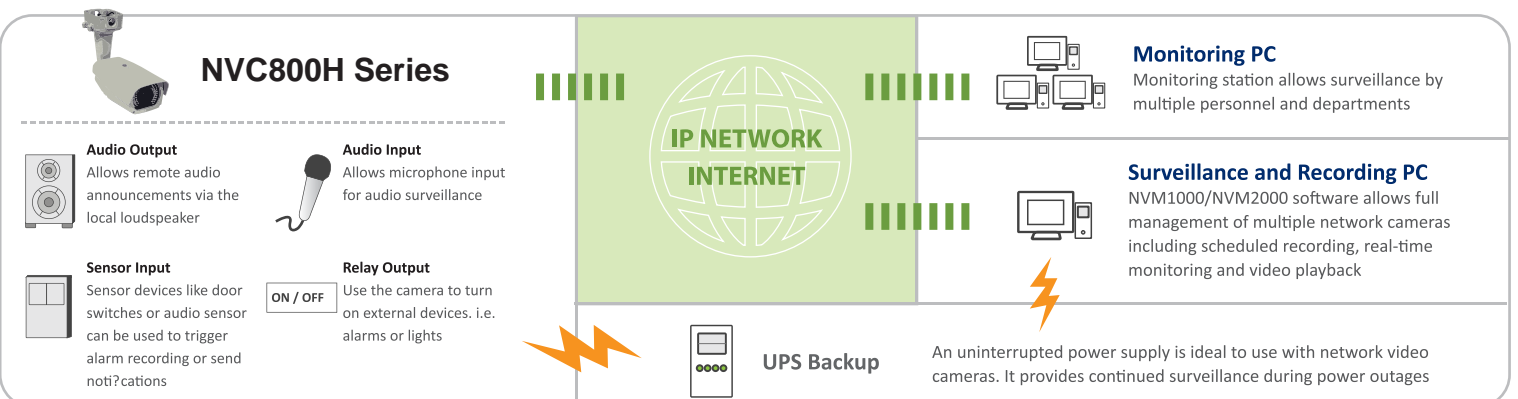



SCHOOL CAMPUS
Regardless if it is inside classrooms or on a campus, Inscape Data's wired and wireless IP based video security solutions will save on your installation cost and make monitoring easier

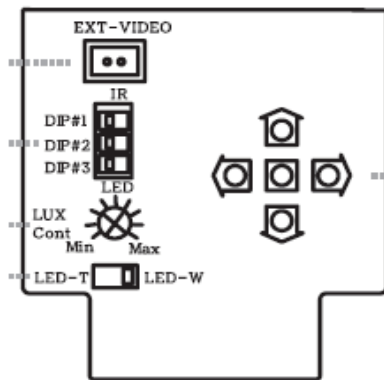
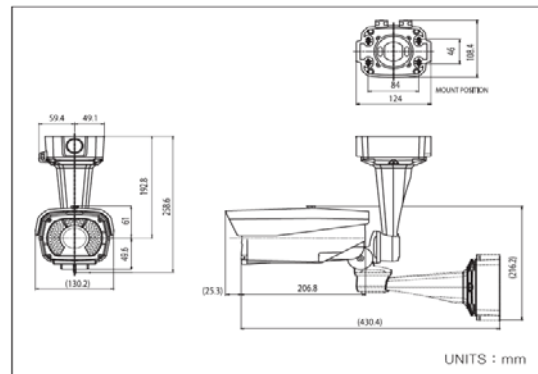
MODEL SELECTIONS

| Model | Color | D/N Day:color Night: Black/White | IR | Heater | Focal Length |
|-------------------|-------|--|----|--------|--------------|
| NVC800H-DN-IR | ✓ | | | | 3.5-16mm |
| NVC800H-DN-IR-H | ✓ | ✓ | | | |
| NVC800H-DN-IR-L | ✓ | ✓ | ✓ | | 9-22mm |
| NVC800H-DN-IR-H-L | ✓ | | | ✓ | |

SYSTEM CONFIGURATIONS



| NVC800H-DN-IR/NVC800H-DN-IR-H/NVC800H-DN-IR-L/NVC800H-DN-IR-H-L | | |
|---|--|---|
| Camera | Image Sensor | 1/3" Sony Super HAD CCD (ICX638, 639) |
| | Scanning System | 2:1 Interlace |
| | Horizontal resolution | 600 Color / 700 Black & White TV Lines |
| | Lens (Standard) | Varifocal F1.5 / 3.5-16mm |
| | Lens (-L Option) | Varifocal F1.5 / 9-22mm |
| | Horizontal Field of View | 94 degrees to 29 degrees (Standard) 49 degrees to 22 degrees (-L Option) |
| | Minimum Object Distance | 0.1 meter |
| | DC Level Adjustment | 32 Level |
| | Sharpness | 15 Level |
| | Day & Night modes (-DN Model Only) | Auto |
| | IR Illuminator (-IR Model Only) | 70 LED, 60 meter range, 10 meter human face |
| | Digital Slow Shutter | ON / OFF |
| | Minimum Illumination | 0.15 Lux Color / 0.0003 Lux B/W 50IRE 512x Sense-Up |
| | Luminance S/N Ratio | More than 52dB |
| | Video Control | Contrast, Brightness, Saturation, Hue |
| | White Balance | ATW/AWC/MANUAL/OUTDOOR/INDOOR |
| | Sense-Up | AUTO/FIXED/OFF |
| | Digital Zoom | ON / OFF |
| | Digital Noise Reduction | OFF/ON 32 Level |
| | Auto Gain Control | ON / OFF |
| BLC | ON / OFF | |
| Flickerless | ON / OFF | |
| 180 Degree Video Rotation | ENABLE/DISABLE | |
| Privacy Masking | Yes | |
| OSD Time Display | ON / OFF 4 Position | |
| Image (NTSC/PAL) | Compression Format | Dual Codec H.264 & MJPEG Up to 30/25 fps |
| | Resolution | NTSC: D1(720x480), Half D1(720x240), CIF (352x240), QCIF (176 x 144) PAL: D1(720x576), Half D1(720x288), CIF(352x288), QCIF(176x144) |
| | Maximum Frame Rate | Up to 30/25 at all resolutions Configurable to 1, 4, 8, 15, 20, 30 fps |
| | Video Encoding Rates | 32kbps ~ 3000 kbps |
| Audio | Audio Compression | Upstream: 32kbps G.726 ADPCM Line-In & Mic-In ENABLE/DISABLE Downstream: 128kbps 16-bit Linear PCM - Lin-Out |
| | Protocols | HTTP, HTTPS, Upnp, SOCKS, TCP/IP v4/v6, RTSP, RTCP, SDP, UDP, IGMP, ICMP, ICMP v6, SMTP, FTP, DHCP, ARP, RARP, DNS, NTP, PPPoE |
| Network | Other network settings | Clone MAC address, HTTP/RTSP Port change |
| | Maximum User Access @ Video Rate | 40@160kbps, 14@512kbps, 7@1000kbps, 2@3000 kbps |
| | Security | Multi-User Viewing Authentication, IP Address filtering, HTTPS Encryption, Digest Authentication, User Access Log |
| | Alarm and Event Management | Event Trigger Email, FTP, or Recording Based on Video Motion Detection or External Sensor Input |
| | Embedded Web Server | Instant access to live streaming video & full p/t/z functionality via Internet Explorer |
| | Data Transmission | Unicast |
| | Pre & Post Alarm Recording | 5 Seconds |
| Interface | Dynamic DNS Management | Supported via free service at mgmt.airgoggle.com |
| | Network | 10 BaseT / 100BaseTx |
| | I/O Port(s) | 1 2-pin sensor input, 1 2-pin relay output |
| | Audio Line Output | 1 port 3.5 mm 3 conductor Mini-jack (tip, ring, sleeve) 0.886Vp-p |
| | Audio Line Input | 1 port 3.5 mm 3 conductor Mini-jack (tip, ring, sleeve) 1.6Vp-p |
| | Microphone | Embedded Microphone Enable or Disable From Software |
| | Composite Video Out | 2 Pin, Composite (1 V p-p), 75 Ohm |
| System Requirements | Power Connector Type | 2.5mm Barrel, Center Pin Positive |
| | Hardware Reset | Reset Button |
| | Operating System | Microsoft Windows 2000 / XP / 2003 / Vista / Windows 7 |
| Management | Processor / Memory | CPU: Intel Duo Core / 1GB |
| | Network Video Recorder Software - 16 Ch. | CPU: Intel Core i3 / 2GB / 256MB Dedicated Video Memory |
| | Browser | Microsoft Internet Explorer Ver 7.0 or higher |
| Environmental | HTTP | Yes |
| | Software | Yes |
| | Construction | Body(Aluminum) |
| | Camera Dimension(W x H x D) w/o Lens | 130 x 107 x 238 mm (5" x 4" x 9" inches) |
| | Camera Bracket Dimension (W x H x D) | 130 x 259 x 430 mm (5" x 10" x 17" inches) |
| | Weight | 2980 g (6.57lbs) |
| | Storage Temperature | -20°C~70°C (-4°F~158°F) |
| Operating Temperature (Standard) | -10°C~50°C (14°F~122°F) | |
| Operating Temperature (-H Option) | -40°C~50°C (-40°F~122°F) | |
| Power | Operating Humidity | 8 ~80% RH Non-Condensing |
| | Outdoor Usage | IP65 |
| | Power Consumption | 15.6 W Standard, 36W using Heater |
| Compliance | Power Supply (Local) | 12VDC / 3.3 A |
| | |  |



IR control panel

PACKAGE CONTENTS

1. NVC800H IP Camera
2. Wall Mount Bracket
3. Mounting Fasteners
4. Product CDROM
5. Power Supply

COMPATIBILITY



NVM1000*



NVR100*



NVM2000**

* Included with purchase

** Available for purchase



THE LEADING
OUTDOOR NETWORK
APPLIANCE COMPANY

Product Information Online: <http://www.inscapedata.com/nvc800.htm>

Corporate Headquarters
1620 Oakland Road, Suite D101, San Jose, CA 95131, U.S.A.
PHONE +1.408.392.9800 FAX +1.408.392.9812
EMAIL sales@inscapedata.com

Total Turnkey Solutions for Outdoor PoE, Wired/Wireless, and IP Video Applications

© Copyright 2011, Inscape Data Corporation, All Rights Reserved. LinkPower, AirEther, AirGoogle and Inscape Data are trademarks of Inscape Data Corporation

Disclaimer: While every effort is made to ensure the information given is accurate, Inscape Data Corporation does not accept liability for any errors or mistakes which may arise. All specifications are subject to change without notice.