



KEY FEATURES & BENEFITS

- H.264 & MJPEG Dual Codec Operation**
 State of the art H.264 digital video encoding allows for the highest quality D1 video at the lowest bandwidth possible. Motion JPEG (MJPEG) digital still video encoding allows for high quality recording and playback.
- Multiprofile Streaming**
 High performance streaming profiles offers 3 streams of different resolution & frame rates providing IP video flexibility for the most demanding IP video applications.
- Integrated IR LED Design**
 Available with the NVC360H-DN-IR. 70 850nm IR LED lighting provides the best covert and low light operation
- Mobile Phone Support**
 Supports the latest Iphone & Android smart phones for real time 24x7 access to the video information most important to you
- Vandal Proof and IP66 Weather Resistant**
 High impact vandal proof poly carbonate clear dome cover and reinforced aluminum chassis with heater and blower to ensure reliable and durability in the harshest indoor or outdoor operating environment
- 802.3af Power over Ethernet (PoE)**
 Available with all NVC360 series product except for the Dual CCD version NVC360-DN-IR and NVC360H-DN-IR. Run up to 300 feet or 100 meter of network cable away from the power source with optional 48VDC PoE Injector
- Wide Dynamic Video Technology**
 Available with the NVC360WDH & NVC360WDH-DN to ensure details of high contrast scenes to appear clear with accurate color in both bright and dark areas simultaneously. The suite of functions from the embedded streaming web server make accessing real-time video easy from any Internet Explorer enabled computer
- Optional flash memory for local storage**

AirGoggle™ NVC360H Series H.264 Vandal Resistant IP Mini Dome Video Camera

AirGoggle NVC360H Series H.264 Vandal Resistant IP Mini Dome Video Camera uses a dual codec supporting H.264 & Motion JPEG digital video compression standards. The NVC360 Series video camera comes with several sub models based on day/night and IR features. In addition, the NVC360WDH model is designed with a Pixim CMOS WDR Image Sensor for viewing in extreme lighting situations and more clearly in darkness, and it provides excellent resolution and color accuracy allows better object and person identification.

Another powerful features include optional flash memory for local storage and multiple simultaneous video streams of differentiated resolutions and frame rates, and these two powerful features will secure video storage if the network becomes unavailable and ensure the highest video quality service while enabling simultaneous connections through lower speed networks. Other key features including built-in PoE and analog video output that will add convenience in the installation while saving the installation cost.

The NVC360H Series H.264 IP Vandal Resistant IP Mini Dome Video Camera is designed with a mini dome style housing and presents friendly looking appearance that can be blended with surrounding structure more smoothly, i.e., ceiling or wall, and it is the best choice when a traditional camera design is preferred for deterrence.

APPLICATIONS



AIRPORTS

Regardless if it is inside or outside of an airport, Inscape Data offers total wired or wireless IP based video security solutions that will save on your installation cost and make your monitoring more efficient



BUILDINGS

Inscape Data's wired and wireless IP based video security solutions will save on your installation cost and make your buildings more secure



METROPOLITAN STREETS

Inscape Data's wired and wireless IP based video security solutions will save on your installation cost and make the streets and metropolitan safer



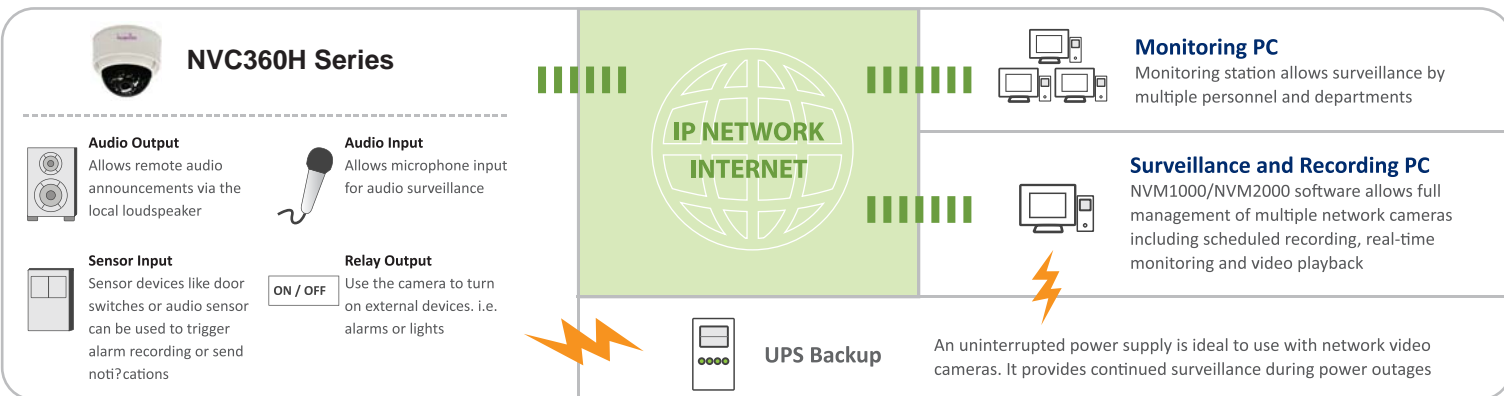
SCHOOL CAMPUS


Regardless if it is inside classrooms or on a campus, Inscape Data's wired and wireless IP based video security solutions will save on your installation cost and make monitoring easier

MODEL SELECTIONS

Model	Color	D/N Day:color Night: Black/White	IR	Wide Dynamic	802.3af PoE
NVC360H	✓				✓
NVC360H-DN	✓	✓			✓
NVC360H-DN-IR	✓	✓	✓		
NVC360WDH	✓			✓	✓
NVC360WDH-DN	✓	✓		✓	✓

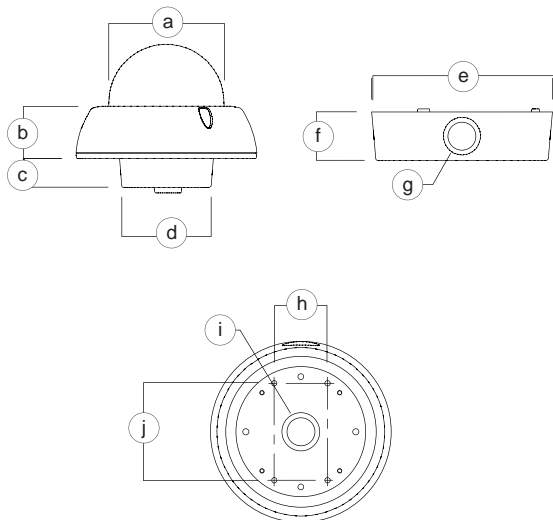
SYSTEM CONFIGURATIONS



	NVC360H/NVC360H-DN/NVC360H-DN-IR	NVC360WDH/NVC360WDH-DN	
Camera	Image Sensor	1/3" Sony Super HAD CCD	1/3" Pixim Wide Dynamic Range CMOS CB100-TDN3
	Scanning System	INTERLACE/INTERPOLATE	
	Horizontal resolution	520 Color / 580 Black & White TV Lines	480 TV Lines
	Lens	Varifocal F1.5 / 3.3-12mm	
	Horizontal Field of View	97 degrees to 38 degrees	
	Minimum Object Distance	0.1 meter	
	DC Level Adjustment	32 Level	
	Sharpness	15 Level	
	Day & Night modes (-DN Model Only)	Auto	
	IR Illuminator (-IR Model Only)	18 LED, 15 meter range, 3 meter human face	N/A
	Digital Slow Shutter	ON / OFF	
	Minimum Illumination	0.1 Lux Color / 0.001 Lux B/W 30IRE	0.08 Lux
	Luminance S/N Ratio	More than 48dB	
	Video Control	Contrast, Brightness, Saturation, Hue	
	Digital Zoom	ON / OFF	
	Auto Gain Control	ON / OFF	
	BLC	ON / OFF	
	Flickerless	ON / OFF	
	180 Degree Video Rotation	ENABLE/DISABLE	
	Privacy Masking	Yes	
OSD Time Display	ON / OFF 4 Position		
Image (NTSC/PAL)	Compression Format	Dual Codec H.264 & MJPEG Up to 30/25 fps	
	Resolution	NTSC: D1(720x480), Half D1(720x240), CIF (352x240), QCIF (176 x 144) PAL: D1(720x576), Half D1(720x288), CIF(352x288), QCIF(176x144)	
	Maximum Frame Rate	Up to 30/25 at all resolutions Configurable to 1, 4, 8, 15, 20, 30 fps	
	Video Encoding Rates	32kbps ~ 3000 kbps	
Audio	Audio Compression	Upstream: 32kbps G.726 ADPCM Line-In & Mic-In ENABLE/DISABLE	
		Downstream: 128kbps 16-bit Linear PCM - Lin-Out	
Network	Protocols	HTTP, HTTPS, Upnp, SOCKS, TCP/IP v4/v6, RTSP, RTCP, SDP, UDP, IGMP, ICMP, ICMP v6, SMTP, FTP, DHCP, ARP, RARP, DNS, NTP, PPPoE	
	Other network settings	Clone MAC address, HTTP/RTSP Port change	
	Maximum User Access @ Video Rate	40@160kbps, 14@512kbps, 7@1000kbps, 2@3000 kbps	
	Security	Multi-User Viewing Authentication, IP Address filtering, HTTPS Encryption, Digest Authentication, User Access Log	
	Alarm and Event Management	Event Trigger Email, FTP, or Recording Based on Video Motion Detection or External Sensor Input	
	Embedded Web Server	Instant access to live streaming video & full p/t/z functionality via Internet Explorer	
	Data Transmission	Unicast	
	Pre & Post Alarm Recording	5 Seconds	
	Dynamic DNS Management	Supported via free service at mgmt.airgoggle.com	
Interface	Network	10 BaseT / 100BaseTx	
	I/O Port(s)	1 2-pin sensor input, 1 2-pin relay output	
	Audio Line Output	1 port 3.5 mm 3 conductor Mini-jack (tip, ring, sleeve) 0.886Vp-p	
	Audio Line Input	1 port 3.5 mm 3 conductor Mini-jack (tip, ring, sleeve) 1.6Vp-p	
	Microphone	Embedded Microphone Enable or Disable From Software	
	Composite Video Out	2 Pin, Composite (1 V p-p), 75 Ohm	
	Power Connector Type	2.5mm Barrel, Center Pin Positive	
	Hardware Reset	Reset Button	
System Requirements	Operating System	Microsoft Windows 2000 / XP / 2003 / Vista / Windows 7	
	Processor / Memory	CPU: Intel Duo Core / 1GB	
	Network Video Recorder Software - 16 Ch.	CPU: Intel Core i3 / 2GB / 256MB Dedicated Video Memory	
Management	Browser	Microsoft Internet Explorer Ver 7.0 or higher	
	HTTP Software	Yes Yes	
Environmental	Construction	Vandal Proof Body(Aluminum), Bubble (PC)	
	Camera Dimension(W x H x D) w/o Lens	148 x 122 mm (6" x 5" Inches)	
	Weight	1000 g (2 lbs)	
	Storage Temperature	-20°C~70°C (-4°F ~158°F)	
	Operating Temperature	DC Powered: -40°C~50°C (-40°F ~122°F)	
	Operating Humidity	8 ~80% RH Non-Condensing	
Power	Outdoor Usage	IP65	
	Power Consumption	10 W Standard, 24W using Heater & IR LED	
	Power Supply (PoE) Power Supply (Local)	802.3af / 48VDC 12VDC / 2 A	
Compliance			

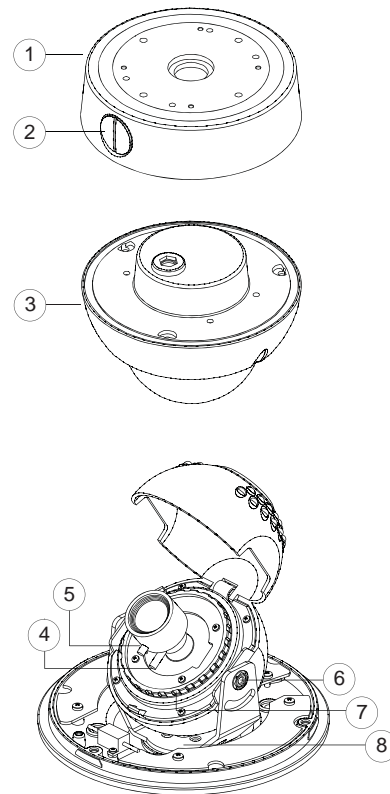
Dimensions

- a. 100 mm
- b. 45 mm
- c. 25 mm
- d. 77 mm
- e. 156 mm
- f. 42 mm
- g. PT 3/4
- h. 46 mm
- i. 83.5 mm
- j. PT 3/4



System Interfaces

1. Surface mount adaptor
2. Cap screw (PT3/4, 1EA)
3. Main body
4. Focus handle
5. Zoom handle
6. Tilt rotation
7. Horizontal rotation
8. Pan rotation



MOUNTING OPTIONS

Wall Mounting
SDWM001M



Embedded Mounting
SDEM360
for NVC360H-DN-IR Model Only



Ceiling Mounting
SDCM001M



COMPATIBILITY

NVM1000*



NVR100*



NVM2000**



* Included with purchase
** Available for purchase

PACKAGE CONTENTS

1. NVC360H Dome Camera (Ceiling Mount)
2. Product CDROM
3. Installation Screws x5
4. Viewer / Recorder Software
5. I/O Terminal Block (5 Pin 2EA)
6. Power Supply



THE LEADING
OUTDOOR NETWORK
APPLIANCE COMPANY

Product Information Online: <http://www.inscapedata.com/nvc360.htm>

Corporate Headquarters
1620 Oakland Road, Suite D101, San Jose, CA 95131, U.S.A.
PHONE +1.408.392.9800 FAX +1.408.392.9812
EMAIL sales@inscapedata.com

Total Turnkey Solutions for Outdoor PoE, Wired/Wireless, and IP Video Applications