

NVC3020MP2v2

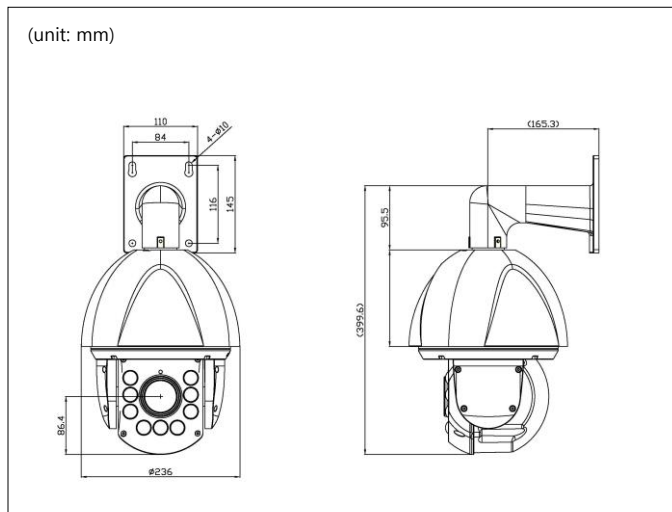
Full HD 2 Megapixel 30x IR PTZ Camera



Key Features

- * 2 Megapixel Full HD
- * Built-in Fan/Heater
- * 30x Auto Focus (f4.7~94mm)
Total 360x Zoom (12x Digital Zoom)
- * 200M IR distance
- * IR sync with Zoom (10 levels) and IR On/Off
- * WDR (Low/Middle/High)
- * H.264: 30fps/1080p, MJPEG: 30fps/VGA
- * Integrated motion detection with pre- and post alarm image/video buffering
- * Event-triggered FTP and email upload of still images and videos
- * Full Duplex two way Audio & UPnP support
- * Micro SD/SDHC local storage, event triggered, scheduled and continuous recording supported
- * External sensors or external alarm devices
- * Supports CBR(constant bit rate) and VBR (variable bit rate) modes
- * Integrated HTTP Web server supporting 50 simultaneous users connections
- * HTTPS supported (Hyper Text Transfer Protocol Secured)
- * Integrated E-mail, FTP, DDNS and DHCP client
- * Extensive CGI API for software integration and remote programming operations
- * IP 66
- * 24VAC

Dimensions



IR Night Vision High Speed PTZ

Specifications

Model	NVC3020MP2v2		
Camera	Image sensor	1/2.8" Type " Exmor R" CMOS Sensor	
	Day & Night	True Day/Night (ICR)	
	Environment	IP66	
	Optical Zoom	30X	
	Digital Zoom	12X	
	Lens	20x AF zoom (f4.7~94mm)	
	IR Distance	200M	
	Min. illumination	0 Lux with IR	
	Pan / Tilt	Pan: 360 Endless	
		Tilt: -0~90 deg (Auto flip)	
WDR	PAN/TILT Speed: Preset 250deg/Sec,Manual 0.1~120deg/Sec		
Noise Reduction	Low/Middle/High		
White Balance	2D+3DNR		
Video	Compression	Auto,ATW,Indoor,Outdoor,Onepush WB,Manual WB,Outdoor Auto	
	Resolutions	H.264 High Profile @Level5.0 @Level4.1(Other resolutions), Motion JPEG	
	Frame rate	Up to 1920 x 1080	
	Video streaming	H.264 Up to 30fps with 1920x1080	
		H.264 Up to 30fps with VGA resolution. MJPEG Up to 30fps with VGA resolution.	
	Image setting	Support multi stream with H.264, MJPEG	
		H.264+H.264+MJPEG Triple	
		Adjustable frame rate	
		VBR/CBR in H.264	
		Day & Night	
Auto White Balance			
Audio	Auto Exposure		
	Privacy Mask		
	D-WDR		
	2DNR/3DNR		
	DSS,Mirror/V-Flip, Corridor-View(in H.264)		
Audio streaming	Two-way, full duplex		
Compression	G.711		
Sample Rate	8KHZ		
Data Rate	64Kbps		
Audio input	Microphone input / 1 x Line-In (Mono)		
Audio output	Line output/ 1 x Line-Out (Mono)		
Control	RS-485	1PORT	
Network	Security	Password protection/ User access log / HTTPS encryption	
	Supported protocol	HTTP, HTTPS, FTP, SMTP, UPnP, DNS, DynDNS, NTP, RTSP, RTP, TCP, UDP, ICMP, DHCP, SNMP, IP Filter	
System integration	Intelligent video	Motion detection up to 1920x1080 with 12x12 blocks	
	Alarm trigger	Motion detection (4 x Sensor in, 2 x Alarm out)	
	Alarm events	File upload via ftp, E-mail, Notification via Email, FTP and TCP	
	Video buffer	5MB pre-alarm and post-alarm-180sec	
	Recording	Save to MicroSD/SDHC card with event mode and continuous mode	
	Firmware upgrade	Remote upgrade via network	
Physical	API	CGI Interface document	
	RESET Button	ActiveX Interface(ocx(dll) + document)	
	Power Source	1 x Factory Reset Button (SIDE)	
	Power Consumption	AC24V 2.5A	
	Weight (Appr.)	Normal: 13W, IR ON: MAX 35W(VA)	
Environment	LED's	4,500g	
	Dimension(mm)	Network Connection	
	Operating Temp.	238mm X 399.6	
Software	Storage Temp.	-25 degree~50 degree Celsius (-13F~122F)	
	Included Software	-30 degree~60 degree Celsius (-22F~140F)	
Package Contents	NVR C/S (16 Channel), IP Installer (Windows Only)	Network Camera, User Manual, Software CD, External Power Adaptor (optional)	

*specifications are subject to change without prior notice.

Accessories

Model No.	Series
WB202	Wall mount bracket
CB202	Ceiling mount bracket
PM202	Pole mount bracket
CM202	Corner mount bracket