



## AirGoggle™ NVC3018MP H.264 Megapixel Outdoor IP Mini Speed Dome Video Camera

The AirGoggle NVC3018MP is a dual-codec (H.264&MJPEG) 1.3 megapixel IP speed dome camera for outdoor environment. Multiple simultaneous video streams of differentiated resolutions and frame rates will ensure highest quality service while enabling simultaneous connections through lower speed networks. Based upon ultra silent twin gear and slip ring, the AirGoggle NVC3018MP ensures world's most silent operation.

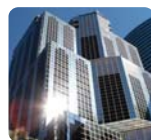
The IP + Hybrid features support both real (USB/RS485) and virtual keyboard controller using client software on the PC. Virtual keyboard controller will enable remote client full control of the speed dome, which used to be available only to the users of keyboard controller.

### APPLICATIONS



#### AIRPORTS

Regardless if it is inside or outside of an airport, Inscape Data offers total wired or wireless IP based video security solutions that will save on your installation cost and make your monitoring more efficient



#### BUILDINGS

Inscape Data's wired and wireless IP based video security solutions will save on your installation cost and make your buildings more secure



#### METROPOLITAN STREETS

Inscape Data's wired and wireless IP based video security solutions will save on your installation cost and make the streets and metropolitan safer



#### SCHOOL CAMPUS

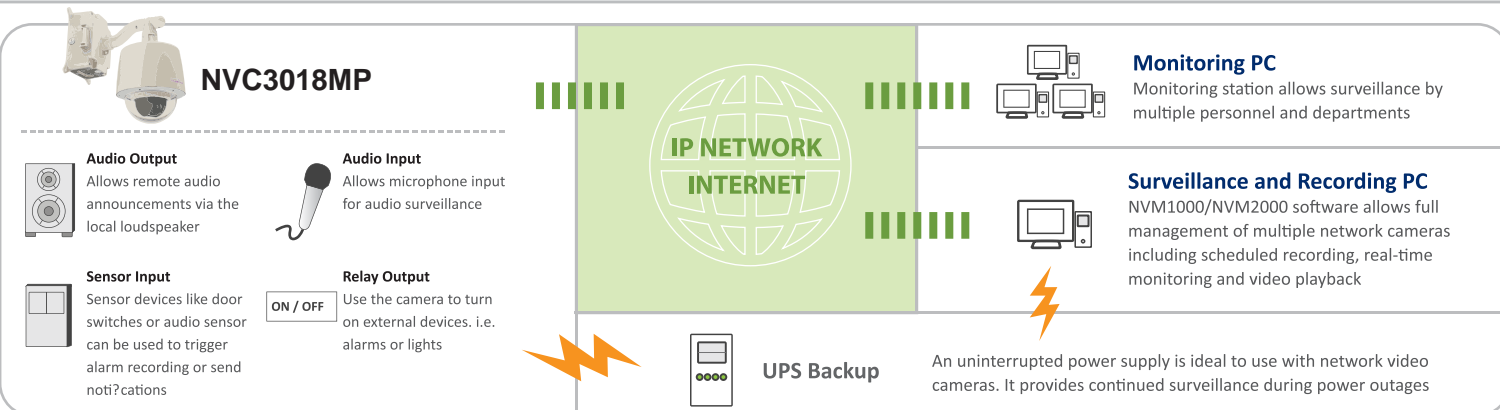
Regardless if it is inside classrooms or on a campus, Inscape Data's wired and wireless IP based video security solutions will save on your installation cost and make monitoring easier

### KEY FEATURES & BENEFITS

- ▶ **Dual-Codec supporting H.264 & Motion JPEG digital video compression standards**
- ▶ **Progressive Scan Megapixel (1.3Megapixel CCD)**
- ▶ **IEEE802.3at PoE**
- ▶ **Multi-profile streaming**  
Up to 3 streams of different resolutions, frame rates and codec selections
- ▶ **IR Compatible Day and Night Operation**  
The automatic day and night functionality with removable IR cut filter (ICR) and digital shutter speed (DSS) deliver optimal day time color video and high-quality black and white video in dark conditions
- ▶ **Automatic Continuous Scan, Tour, and Pattern Operation**  
Designed for automatic continuous scan, tour, and pattern operation, this product is well suited for use in high demanding automatic 360-degree Pan-Tilt-Zoom applications
- ▶ **Mobile Phone Support**  
Supports the latest Iphone & Android smart phones for real time 24x7 access to the video information most important to you
- ▶ **Simultaneous IP and CCTV Video Operation**  
This has the interface connectivity for both IP and CCTV monitoring and recording systems
- ▶ **Intelligent Full Featured Pan Tilt Zoom and Programming**  
Pan and tilt speeds are automatically adjusted based on zoom level during manual control to provide 0.024 degrees precision. Auto scan, 8 group tours, 165 preset positions, 8 programmable patterns and sectors, 24 privacy masking zones, and multiple I/O ports allows precise customized pan tilt zoom automation. Each preset locations can be individually programmed with the dwell time and pan/tilt speed
- ▶ **Auto-Flip**  
Auto-flip functionality eliminates the mechanical stop limitation allowing for continuous panning operational and Tilt Operation overcomes mechanical limitation
- ▶ **High Speed Pan/Tilt Operation**  
350 degrees per second continuous panning and 250 degrees per second tilting ensures fast transition to any of the 165 preset locations
- ▶ **Integrated Sensor, Alarm, and Relay Ports**  
Integrated sensor input, alarm output, and video motion detection provides actionable event trigger able to send a video clip via email or FTP and turn on/off external relays
- ▶ **Power over Ethernet (PoE)**



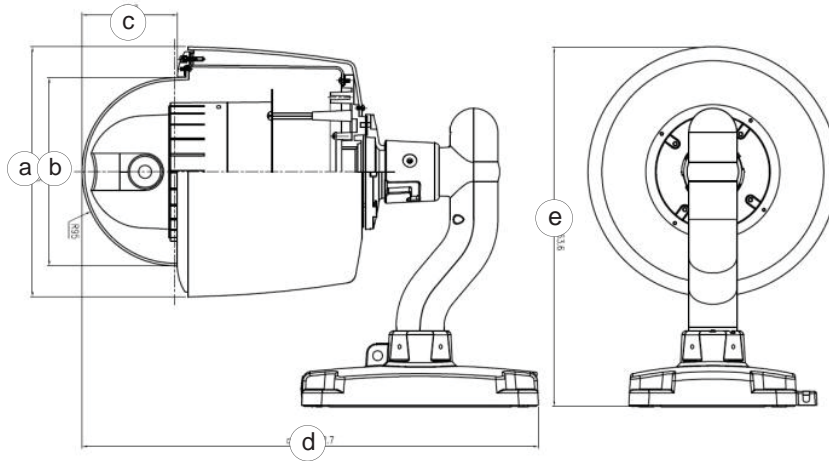
### SYSTEM CONFIGURATIONS



**Camera Part (PTZ Mechanism, Camera Module)**

CCD Image Sensor	Image Size	Hitachi 6mm Dia. (TYPE 1/3)						
	Effective Pixels	1.3Megapixel (1296 x 966)						
	Progressive Scan	YES						
	Output Pixels / Frame Rate	1280 (H) x 720 (V) 30fps 1280 (H) x 960 (V) 20fps						
Lens	Optical Zoom	18X (f=4.7-84.6mm)						
	Practical f-value	4.7- 84.6mm						
	Practical H.angle	55.2°(w) ~ 3.2° (t)						
	F-value	F1.6 (w)-F2.8 (t)						
Focus	Zoom Speed	See appendix (+)						
	Auto	VAF						
	Manual (Far/Near)	Provided (soft)						
IR Removable	Focal Range (setting)	infinity-1m(t) ~ 0.01m (w), (soft)						
	Auto	Pro.AER+						
Durability	Manual (ON/OFF)	Provided (soft)						
	Zoom/Focus/Iris	500k cycles						
DSP	IR Removable	50k cycles						
	Serial Interface	Method: speed	RS-232C : 57.6k / 38.4k / 19.2k / 9.6k / 4.8k/bps					
		RS232C logic voltage level	3.3V					
	Functions	Digital Slow Shutter	YES					
		Wide Dynamic Range	OFF/ON (soft)					
		Image Freeze	OFF/ON (soft)					
		Mirror	OFF/ON (soft)					
		Vertical Invert	See appendix (+)					
		Image Reverse	See appendix (+)					
		Privacy Masking	OFF/ON (2 zone 2-D / 8 zone 3-D (4/1 screen) (soft)					
		Motion Detect	OFF/ON (soft)					
		Frame Noise Reduction	See appendix (+)					
Various customizable settings		YES [Preset Store (max.111), WB tuning]						
Dynamic Spot Cancel	YES							
Digital Zoom		See appendix (+)						
Electrical Shutter	Shutter Speed	See appendix (+)						
	Sensitivity	Max. 1/4s (soft)						
Iris	BLC	Auto / (offset: soft)						
		OFF/ON (soft)						
White Balance		Auto / (manu: soft)						
Resolution Horizontal (Typ.)		600 TVL (1280 x 720 pixels) 800 TVL (1280 x 960 pixels)						
Min. Sensitivity (Typ.)	IR-cut ON (1/30s)	1.81 lux						
	IR-cut OFF (1/4s)	0.02 lux						
	Condition	F1.6 (w), 50IRE						
Sync System		Internal						
Output Pixels		1280 x 720'			1280 x 960			
Digital Clock Frequency		36MHz	30MHz	27MHz	36MHz	30MHz	27MHz	
Frame Rate		30 fps	25 fps	22.5 fps	20 fps	16.7 fps	15 fps	
Zoom Speed	Fast	3.5s	4.2s	4.7s	5.2s	6.3s	7.0s	
	Normal	5.1s	6.2s	6.9s	7.7s	9.3s	10.2s	
DSP Functions	Vertical Invert	-	-	Yes	-	-	Yes	
	Image Reverse	-	-	Yes	-	-	Yes	
	Frame Noise Reduction	-	-	Yes	-	-	Yes	
Digital Zoom		-	-	-	12x	-	12x	
Electrical Shutter Speed	Auto	1/30s ~ 1/4000s	1/25s ~ 1/4000s	1/22.5s ~ 1/4000s	1/20s ~ 1/4000s	1/16.7s ~ 1/4000s	1/15s ~ 1/4000s	
	Auto (+DSShutter)	1/4s ~ 1/4000s						
	Manual	1/4s ~ 1/4000s						

Video Part		System Integration		Network		
Compression method	Simultaneous Dual Codec (H.264 / MJPEG)	Intelligent Video	Motion Detection + IVS module(option)	Network Protocol	-IPv4/v6, TCP, UDP, IGMP, ICMP, ICMPv6, ARP, RARP, PPPoE, RTCP - RTP, RTSP, SDP, HTTP, HTTPS, SMTP, FTP, DHCP, UPnP, SNMP - NTP, DNS, DynDNS, SOCKS	
Resolution	- 30fps@1280x720 - 20fps@1280x960	Alarm Triggers	Intelligent Video + Sensor Input			
Multi-Profile Streaming	- 5 simultaneous video profiles - Select the codec type, resolution and frame rates for each profile.	Alarm Events	video file upload(FTP), still Image(Email), PTZ presets, Relay output			
Intelligent Bit-Rate Control	CBR,VBR, HBR	Video Buffer	5~15sec Pre-alarm & 15~5sec Post-alarm (total 20sec)	Dynamic IP	Supported (through iCanTek's management server)	
PTZ	Digital PTZ & video crop	PTZ control	64 presets, guard tour, PTZ control queue	Security	-User ID & Password protection, IP address filtering - HTTPS encryption, Digest Authentication, User Access Log	
Image Setting	Text overlay, Privacy mask, De-interlace filter	3G mobile	3G mobile phone support			
Motion detection	3 regions	<b>Operating Environment, Power, Dimensions</b>				
<b>Audio Part</b>	Mono Upstream 32Kbps G.726 ADPCM ~ LINE-in / MIC-in	Operating Temperature	-Without heater : -10 C ~ 50 C(14 F ~ 122 F) -With heater : -40 C ~50 C (-40 F~122 F)		<b>External Terminals</b>	
		Operating Humidity	8~80% RH		LAN	10/100BaseT LAN (auto MDIX)
		Power	IEEE802.3at PoE or 12VDC, 2A / 24W		Analog output	1 channel D1 CVBS output of the encoding video
		Dimensions (W x D)	253mm(10") x 462.7mm(18")		RS-485	RS 485 for external PTZ device
		Weight	5.3kg (11.7lbs)/Net		Alarm input / output	Alarm I/O (4 Sensor input & 2 Relay output)
		Casing	PC/AL/ABS, Ivory		Factory Reset	Supported
Mono Downstream	64Kbps u-law PCM ~ LINE-out(1Vpk)	Approvals	FCC, CE, MIC, RoHS		other	Two Stereo Jack / RS 232 Debug / 12VDCin
Stereo	Stereo support	Package Information	IP camera, CD (User's guide, software...), accessories			



a. 253mm b.190mm c.48.3mm d.463mm e. 364mm

MOUNTING OPTIONS

Wall Mounting



SDWM001v2

Pole Mounting



SDWM001v2



SDPA001v2  
Outdoor Pole Mount Adaptor

Wall Mounting with Junction Box



SDWM001v2



SDJB001  
Junction Box without PCB & Cable

Corner Mounting



SDWM001v2



SDCA001v2  
Corner Mount Adaptor

Wall Mounting with Junction Box & Wiring Kit\*



SDWM001v2



SDJBP001  
Junction Box Kit with PCB & Cable

Ceiling Mounting



SDPM001v2  
for NVC360-DN-IR & NVC360H-DN-IR Models

\* Wiring kit junction box for Ethernet, Power, Relay, I/O Port, RS485

COMPATIBILITY

NVM1000\*



NVM2000\*\*



PTC800\*\*



\* Included with purchase

\*\* Available for purchase

PACKAGE CONTENT

1. Camera Unit
2. Transparent Bubble
3. I/O, Audio, Terminal Block
4. Product CDROM
5. Power supply

ACCESSORIES: SPEED DOME BUBBLES



SDB3000 (Smoke)



SDB3000C (Clear)



THE LEADING  
OUTDOOR NETWORK  
APPLIANCE COMPANY

Product Information Online: <http://www.inscapedata.com/>

Corporate Headquarters  
1620 Oakland Road, Suite D101, San Jose, CA 95131, U.S.A.  
PHONE +1.408.392.9800 FAX +1.408.392.9812  
EMAIL sales@inscapedata.com

Total Turnkey Solutions for Outdoor PoE, Wired/Wireless, and IP Video Applications