



## AirGoggle™ NVC300MP Series Mega-Pixel (MP) Professional IP Dome Video Camera



NVC300MP IP Dome Mega-pixel Camera Series offers high-performance compression and streaming capabilities with superior image quality including progressive scan and wide dynamic range, providing crisp and clear images of both illuminated and low-light areas. In addition, the NVC300MP series provides HDTV 2.0 and 3.0 mega-pixel resolution (2084x1536 and 1920x1080) at full frame rate. Multiple H.264 streams, as well as Motion JPEG streams, can be provided simultaneously either in full frame rate or individually optimized for different quality needs and bandwidth constraints.

Another powerful features include optional flash memory for local storage and multiple simultaneous video streams of differentiated resolutions and frame rates, and these two powerful features will secure video storage if the network becomes unavailable and ensure the highest video quality service while enabling simultaneous connections through lower speed networks. Other key features including built-in PoE and analog video output that will add convenience in the installation while saving the installation cost.

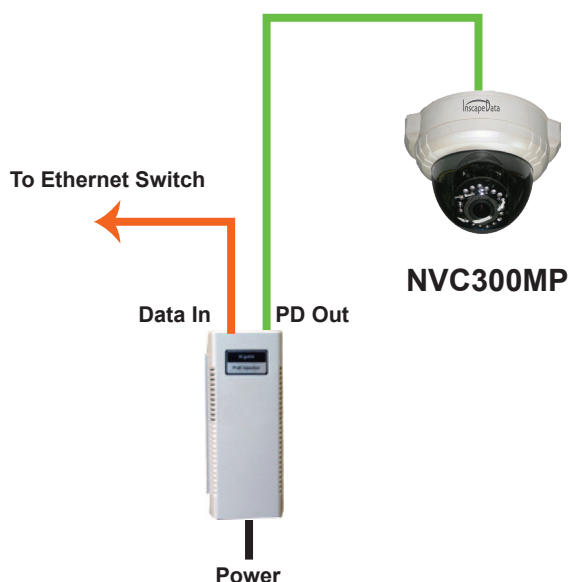
The NVC300MP Series Mega-pixel Dome IP video camera is designed with a mini dome style housing and presents friendly looking appearance that can be blended with surrounding structure more smoothly, i.e., ceiling or wall, and it is the best choice when a traditional camera design is preferred for deterrence. The viewing direction is set once the camera is mounted. The mega-pixel resolution allows important areas like entrances or checkouts to be monitored in great detail.

### MODEL SELECTIONS

| Model               | Mega Pixels | Color | D/N<br>Day: color<br>Night: Black/White | Wide Dynamic | IR | 802.3af PoE |
|---------------------|-------------|-------|---|--------------|----|-------------|
| NVC300MP2-DN-IR     | 2           | ✓     | ✓                                       |              | ✓  | ✓           |
| NVC300MP2-DN-IR-WDR | 2           | ✓     | ✓                                       | ✓            | ✓  | ✓           |
| NVC300MP3-DN-IR     | 3           | ✓     | ✓                                       |              | ✓  | ✓           |

### APPLICATION DIAGRAM

#### Standard IEEE802.3at PoE Injector

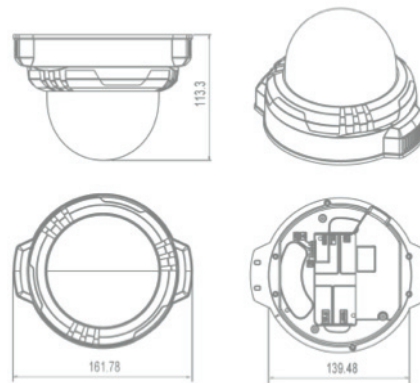


### KEY FEATURES & BENEFITS

- ▶ 2.0/3.0 mega-pixel color video resolution
- ▶ Triple-Codec supporting H.264, MPEG & MJPEG digital video compression standards
- ▶ Progressive scan Mega pixel, 2.0 & 3.0 Mega-Pixel CMOS image sensor
- ▶ Mobile Phone Support
- ▶ Multi-profile streaming (Up to 3 streams of different resolutions, frame rates and codec selections)
- ▶ Power over Ethernet (PoE)
- ▶ Two-way audio support
- ▶ 3-axis lens mount
- ▶ Analog video output, CVBS (Composite Video Baseband Signal)
- ▶ Optional flash memory for local storage

| Camera Module                            |  |
|--|--|
| Image sensor                             | Progressive scan 1/2.5 inch CMOS 3.0M pixels   |
| Full resolution                          | 2.048 x 1,536 pixels   |
| Min. illumination                        | Color : 0.3 Lux (F 1.4)  |
| S/N Ratio                                | 47dB or more   |
| White Balance                            | AWB  |
| Sync System                              | Internal   |
| Lens                                     | 3.5~16mm   |
| Day & Night                              | Supported (TDN, IR LED)  |
| Video Part                               |  |
| Compression method                       | Simultaneous Triple Codec (H.264 /MPEG-4/ MJPEG)   |
| Multi-Profile Streaming                  | - 5 simultaneous video profiles<br>- Select the codec type, resolution and frame rates for each profile.   |
| Intelligent Bit-Rate Control             | Hybrid Bit Rate control (VBR+CBR)  |
| PTZ                                      | Digital PTZ & video crop   |
| Image Setting                            | Text overlay, Privacy mask, De-interlace filter  |
| Motion detection                         | 3 regions  |
| Audio Part                               |  |
| Mono Upstream                            | 32Kbps G.726 ADPCM ~ LINE-in / MIC-in  |
| Mono Downstream                          | 128Kbps 16-bit Linear PCM ~ LINE-out(1Vpk)   |
| Network                                  |  |
| Network Protocol                         | -IPv4/v6, TCP, UDP, IGMP, ICMP, ICMPv6, ARP, RARP, PPPoE, RTCP<br>- RTP, RTSP, SDP, HTTP, HTTPS, SMTP, FTP, DHCP, UPnP, SNMP<br>- NTP, DNS, DynDNS, SOCKS! |
| Dynamic IP                               | Supported  |
| Security                                 | -User ID & Password protection, IP address filtering<br>- HTTPS encryption, Digest Authentication, User Access Log   |
| External Terminals                       |  |
| LAN                                      | 10/100BaseT LAN (auto MDIX)!   |
| Alarm input / output                     | Alarm I/O (1 Sensor input & 1 Relay output)  |
| Factory Reset                            | Supported  |
| other                                    | Two Stereo Jack / RS-232 Debug / 12VDCin   |
| Installation                             |  |
| Standard PoE (IEEE802.3af)               | Supported  |
| System Integration                       |  |
| Intelligent Video                        | Motion Detection + IVS module(option)  |
| Alarm Triggers                           | Intelligent Video + Sensor Input   |
| Alarm Events                             | video file upload(FTP), still Image(Email), Relay output   |
| Video Buffer                             | 00 sec Pre-alarm & 00 sec Post-alarm   |
| Operating Environment, Power, Dimensions |  |
| Operating Temperature                    | 0~45°C (32 ~113°F)   |
| Operating Humidity                       | 8~80% RH   |
| Power                                    | 12VDC, 1A / SMPS, PoE (IEEE802.3af)  |
| Dimensions(W x H x D)                    | 130mm(5.11") x 92mm(3.62")   |
| Weight                                   | 0.58Kg (1lbs)  |
| Casing                                   | PC/ABS, Ivory  |
| Approvals                                | FCC, CE, MIC, RoHS   |
| Optional Items                           |  |
| Local storage                            | SD card  |

130mm(5.11") x 92mm(3.62")



**VIDEO ACCESSORIES**

**PIA200**  
48VDC Integrated PoE Power Adapter



**COMPATIBILITY**



\* Included with purchase \*\* Available for purchase

**PACKAGE CONTENT**

1. IP Camera with Integrated Lens
2. Power Supply 12VDC 1.5A
3. 3pcs 1" Surface Mount Screw
4. Guide Pattern Mounting Template
5. Product CDROM



THE LEADING  
OUTDOOR NETWORK  
APPLIANCE COMPANY

Product Information Online: <http://www.inscapedata.com/nvc300mp.htm>

Corporate Headquarters  
1620 Oakland Road, Suite D101, San Jose, CA 95131, U.S.A.  
PHONE +1.408.392.9800 FAX +1.408.392.9812  
EMAIL sales@inscapedata.com

Total Turnkey Solutions for Outdoor PoE, Wired/Wireless, and IP Video Applications