

# Inscape Data

The Expert in Wireless and IP Video Systems

Winter 2007 Edition

## In This Issue

1 **Inscape Data & United Digital Technologies Announce Strategic Distribution Partnership**

1 **Wide Area Digital Outdoor Wireless Video Security Surveillance System**

1 **Successful Launch of AirGoggle Dual CCD All Weather Network Video Cameras**

1 **Inscape Data & Nationwide Security Cameras Announce Strategic Distribution Partnership**

3 **Help Desk : On Site Installation of NVC 1018/1026 network PTZ camera**

## Successful Launch of AirGoggle Dual CCD All Weather Network Video Cameras

In December of 2007, Inscape Data, the expert in wireless and IP video system launched two new network camera products; the NVC360 and NVC 800, to the AirGoggle network video surveillance line. The new camera products are turn-key all in one security surveillance solutions. The new high performance network camera package is an exciting extension of our professional network camera line and provides our customers with economical and full feature security surveillance solutions.

[Continued on page 2](#)

## Wide Area Digital Outdoor Wireless Video Security Surveillance System

### Overview

Inscape Data Outdoor Wireless Video Security Surveillance System is a suite of outdoor wireless and IP video system providing a reliable alternative to hardwiring for security applications. There are several great reasons why wireless is a preferred medium over hard wiring. Wireless is economical, fast time to deployment, secure, and reliable. In many cases, wireless is the only option.

Inscape Data provides turnkey total outdoor wireless video solution in the License exempt frequency bands of 2.4GHz and 5.1 ~ 5.8 GHz, as well as fixed or PTZ outdoor rated IP network camera systems. License exempt wireless allows for any security professional to deploy the wireless equipment without a license as long as the equipment conforms to the local communication regulatory body guidelines.

[Continued on page 4](#)

## Inscape Data & United Digital Technologies Announce Strategic Distribution Partnership

Inscape Data Corporation, the innovative developer of the AirGoggle line of network Video Surveillance products and the AirEther line of outdoor IEEE 802.11a/b/g Wireless Systems, announced today that it has formed a strategic alliance with United Digital Technologies for the distribution of its wireless and video surveillance product lines. Inscape Data is excited to have United Digital Technologies join its North American distribution channel.

[Continued on page 2](#)

## Inscape Data & Nationwide Security Cameras Announce Strategic Distribution Partnership

Inscape Data Corporation, the innovative developer of the AirGoggle line of network Video Surveillance products and the AirEther line of outdoor IEEE 802.11a/b/g Wireless Systems, announced today that it has formed an alliance with Nationwide Security Camera of Riverside, CA., for the distribution of its wireless and video surveillance product lines. Inscape Data is excited to have Nationwide Security Camera join its North American distribution channel.

Nationwide Security Cameras is a highly dynamic valued-added distributor of video surveillance and other electronic components, encompassing a strong nationwide customer base. Inscape Data and Nationwide Security Camera have recently finalized their Strategic Distribution Agreement to introduce this important distribution partnership for North America. David D. Lin, President of Inscape Data says, "I am extremely pleased with this relationship. Nationwide Security Camera has a prominent reputation for distributing the highest quality networking video surveillance products. With their nationwide distribution and strong technical support capabilities, they are well placed to present and sell high volumes of our products to their broad customer base.

[Continued on page 5](#)



# Successful Launch of AirGoggle Dual CCD All Weather Network Video Cameras

Continued from page 1

At a glance, the NVC360 and NVC 800 have the following common features:

- Zero Lux Surveillance with Integrated IR Illuminator turned on
- Dual CCD Technology for High Quality Low Light Surveillance
- Sony 1/3" Super HAD Color CCD for day time operation and 1/3" Ex-View B/W CCD for low light operation
- MPEG-4 D1 720x480 Resolution at 30 Frames Per Second
- Video Encoding Rate from 32kbps to 3mbps
- Two way audio/video communication
- Multi-region motion detection
- Event driven real-time notification
- Simultaneous user access
- Embedded streaming web server
- FREE 16 channel full featured professional video monitoring and recording software

The Industry's first Dual Exchange CCD technology swaps between a Sony 1/3" Super HAD Color CCD for day time and 1/3" Ex-View B/W CCD for low light operation. The zero lux surveillance capability is the best in the industry supported by 70 high powered LED. The MPEG-4 D1 720x480 resolution provides full motion high image resolution while preserving network efficiency. Network efficiency allows for streaming of more cameras per local area network or wireless local area network. The synchronized two-way audio and video communication allows for microphone input for audio surveillance and remote audio announcements via loud speaker. Multi-region motion detection allows motion detection of multiple zones by masking the camera's viewing area. The event driven real-time notification allows actionable event trigger able to send a video clip via email or FTP and turn on or off relays. Simultaneous user access and embedded web server allows for the use of the video system as a stand-alone web server or multiple monitoring stations. With every network video system by Inscape Data, a free copy of the 16 channel network video monitoring and recording software is included. The full feature professional recording PC software allows monitoring to be done on a PC without expensive dedicated CCTV monitor or controller. Let us take a look at each new network video camera model for an in depth view of the new features.



AirGoggle NVC360

The AirGoggle NVC360 is the new compact color day & night dual exchange CCD indoor and outdoor network mini-dome camera. It includes a 22mm lens, vandal resistant design, and IP66 enclosure rating. It is a standalone IP addressable network camera with two way audio capability, one alarm input, one relay output, and PoE capable. It is the ideal network camera system for all video security applications. The NVC 360 is ideal for rugged environments where vandal and tampering of equipment is prevalent.



AirGoggle NVC800

The AirGoggle NVC800 is the new color day & night dual exchange CCD indoor and outdoor dome camera. The NVC800 dome camera has a rugged all in one enclosure with gasket ring. It is all weather IP66 rated for the toughest outdoor environmental conditions. The 22mm lens, long range high powered IR illuminator, and host of features makes the NVC800 an ideal outdoor bullet camera in its class.

The addition of the NVC360 and NVC800 brings new applications in

covert and 0 lux surveillance environment. The Inscape Data product introduction are always fully transparent and compatible in network architecture and software tools used in the existing Inscape Data's AirGoggle NVC and NVS network video line. The turn-key style package with Inscape Data's network video system is unique in the network security surveillance industry. Whether the customer is installing one camera or hundreds of cameras, Inscape Data have a complete line of video surveillance hardware and multiple channel network video recording software readily available for our customers. The inclusion of a free professional quality scalable 16 channel PC based network video surveillance and recorder software reflects the value added trend and turn-key product package across all of Inscape Data's product lines.

The NVC360 and NVC800 are immediately available. Please contact your Inscape Data authorized distributor or reseller for purchasing information or visit Inscape Data's website for product information at <http://www.inscapedata.com/nvc.htm>.

## Inscape Data & United Digital Technologies Announce Strategic Distribution Partnership

Continued from page 1

United Digital Technologies is a highly dynamic valued-added distributor of video surveillance and other electronic components, encompassing a strong nationwide customer base. Inscape Data and United Digital Technologies have just finalized their Strategic Distribution Agreement to introduce this important distribution partnership in North America. David D. Lin, President of Inscape Data says, "I am extremely excited with this relationship. United Digital Technologies has a stellar reputation for distributing the highest quality networking video surveillance products. With their distribution acumen and strong technical support capabilities, they are well placed to present and sell high volumes of our products to their customer base nationwide. I am confident that our growing relationship with United Digital Technologies will yield long-term benefits to both our companies and the market."

With this Strategic Distribution Agreement, United Digital Technologies will gain an innovative, cost-effective and high quality source of supplies for its wireless and IP video security systems and IP video accessories. Inscape Data will provide United Digital Technologies with essential product training, engineering support, technology updates, new product samples, and joint marketing campaigns. John Govel, President of United Digital Technologies states, "We are very pleased with our strategic channel partnership with Inscape Data. As a specialized distributor of IP-based video surveillance components and solutions, United Digital Technologies sees growing demand for quality wireless products and services. The systems manufactured by Inscape Data, combined with their value-added services, offer our VARs, dealers and system integrators a cost-effective way to implement wireless video technology into their deployments. Inscape Data is recognized for their strong engineering capabilities which United Digital Technologies can seamlessly extend to our resellers. We anticipate that these services will complement our portfolio of solutions while generating strong market growth for our organization."

About United Digital Technologies

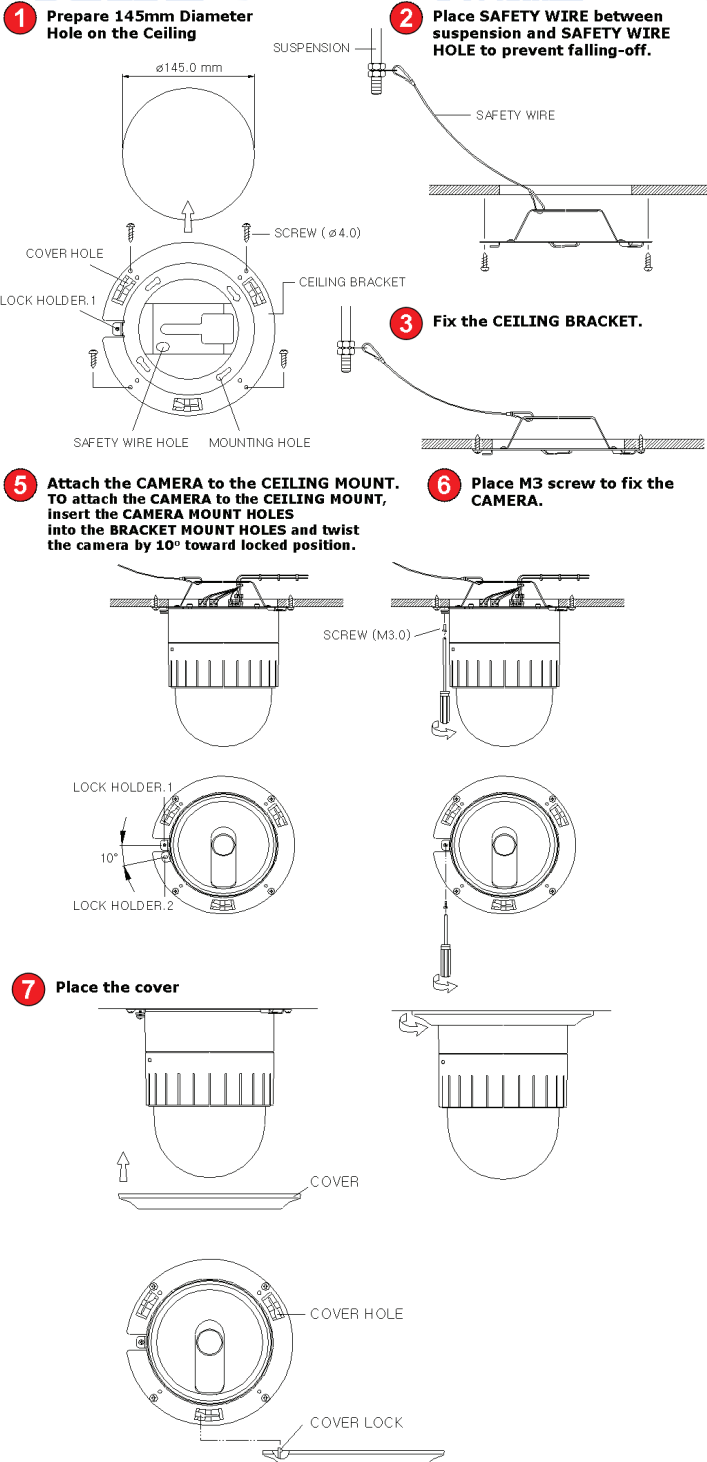
United Digital Technologies, <http://www.udtech-usa.com>, distributes innovative, IP-based electronic security products and solutions to a nationwide network of resellers and system integrators. As a true technology partner, United Digital Technologies offers comprehensive pre- and post-sales engineering support to professionals in the IT, Security and Data Communications channels. By adding significant value to the supply chain, United Digital Technologies enables resellers to capitalize on opportunities in this rapidly emerging market.

# On Site Installation of NVC 1018/1026 network PTZ camera

The NVC 1018 and 1026 network PTZ cameras are a state of the art pan tilt zoom network camera packed with features. It comes with needed accessories to ease installation and operation. The following are inside look into two installation scenarios: standard ceiling mount and optional embedded ceiling mount.

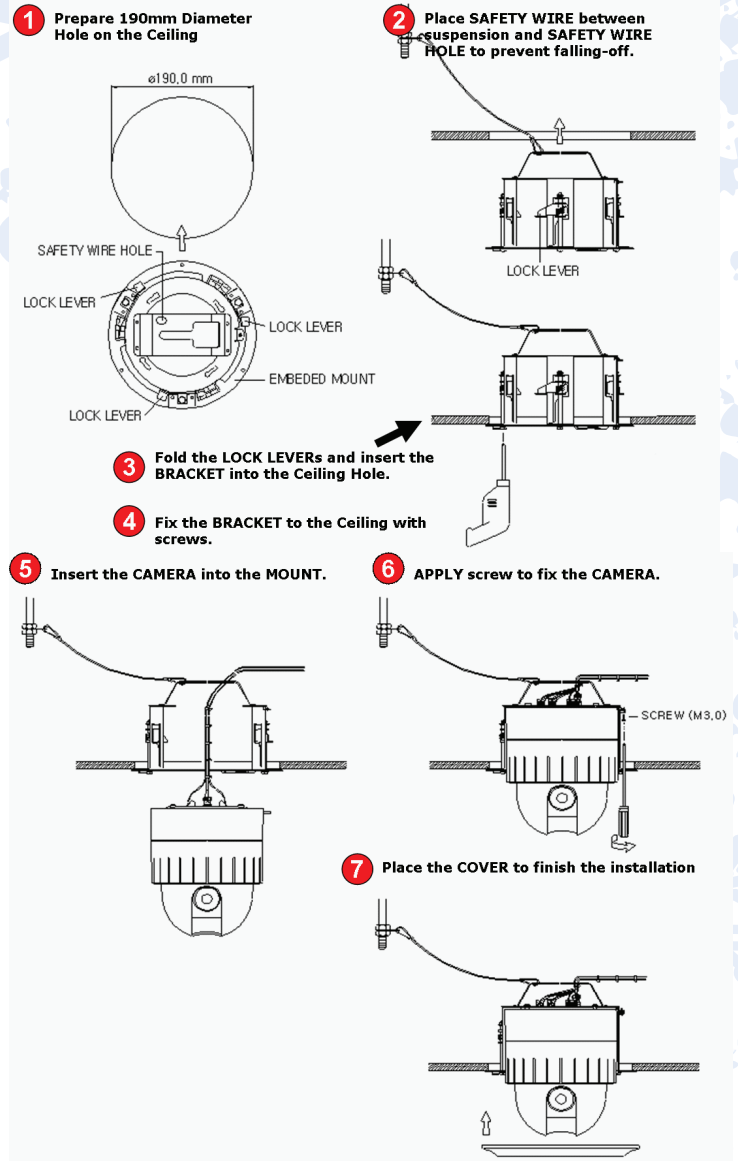
## Installation Using Standard Ceiling Mount

Please ensure the ceiling board is capable of holding a minimum of 1 lb to ensure safety. Refer to the following 6 steps for proper installation.



## Installation using Embedded Mount Type (Optional)

Embedded mount bracket is an optional item which can be purchased from an Inscape Data authorized distributor or reseller. The advantage of an embedded mount is approximately 4 inches of the dome body is hidden beneath the ceiling. Please refer to the following seven steps for proper installation.



## Product Advantages & Highlights

### Economical

Network video, also known as IP video, over wireless medium is not a new concept. Wireless analog video system has long been available in the surveillance industry, but has been very limited to few applications, prone to RF interference, and operates in simplex mode. Inscape Data is in the forefront of providing the most economical and cost effective outdoor wireless and IP video solution for the market. Saving money and lowering project cost is perhaps the largest benefit of deploying an Inscape Data license-free wireless video link. The lowering of economical cost barrier also allows security professionals to revisit or take on hard to wire or once impossible outdoor video surveillance applications.

### Faster time to deployment

In addition to economic reasons for outdoor video surveillance over wireless, faster time to deployment is a benefit high on the list for the security industry. Security professionals can tackle large outdoor video surveillance projects without long project life cycles; shorter life cycles means faster ROI and more satisfied customer.

After a base station or access point is deployed, as long as line-of-site wireless path is achieved, new or additional camera wireless transceivers can be deployed or redeployed in matter of hours instead of days.

The architecture flexibility brought fourth by license exempt wireless transceivers is also unmatched compared to other transport mediums. Redeployment consists of uninstalling from the old location and reinstalling at the new location. After aiming the antenna is complete, the new video link should be ready to go without any delay. This flexibility opens up application for video surveillance in the construction industry as well as video surveillance for seasonal events.

### Secure

There are myths of wireless communication being insecure, which maybe true with the days of analog wireless transmission and first generation IEEE 802.11 device. WEP encryption available on the first generation 802.11 and 802.11b devices has proven to be insecure. Latest software tools and wireless sniffers are able to derive the network key within just minutes of sampling a communication link.

New outdoor wireless video transceivers now have the latest chipset technology with strengthened wireless security. With IEEE 802.11a/g digital transceivers, Advance Encryption System (AES) is a standard feature made available by most manufacturer of outdoor wireless radio. AES is an encryption standard recognized by the U.S. government and approved for the used for transmittal of classified information. AES was an encryption option once available only to high cost wireless transceivers.

### Reliable

Wireless video links when deployed correctly can offer reliability equivalent to or exceed wired installations. Wired installations are prone to cable or interface corrosion, accidental disturbances, and costly to replace when defective. Wireless video link has the added feature of link redundancy (1), base station fail over, and reliability up time in the range of 99.9999%. Adding new video surveillance camera nodes to the video surveillance wireless network could be as simple as adding new wireless transceiver and video camera system. This is possible because radio transceivers which operates in the wireless point to multipoint mode allows a single access point or base station to communicate with multiple wireless transceivers. With access to more than 20 mbps of wireless network throughput on an 802.11g transmission link and 50 mbps on an 802.11a transmission link, a wireless video network can scale to accommodate large outdoor camera system reliably.

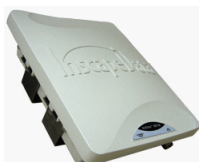


NVM 1000 64-Channel Central Management with E-Map PC Software

## System Components

### Wireless Backhaul / Ethernet Bridge

The AirEther BR108 is the core backhaul IP networking bridge which ties all the remote Inscape Data IP security surveillance camera system to a central location for video monitoring and recording. The BR108 operates in the 5.1 ~ 5.8 GHz frequency band and is able to provide point to point or point to multipoint configuration. Antenna configuration of 12, 18, & 21 dBi are available and provide distance connectivity from 0.5km to 10km and actual throughput up to 25/50mbps respectively.



AirEther BR108

### Camera Client Bridge

The AirEther CB54 client bridge has an integrated 12 dBi antenna and is used to wirelessly connect the AirGoggle NVC series cameras to the local AirEther AB54 series access points. The distance between CB54 and AB54 is most optimal if used under 5km. In areas with high 2.4 GHz activity, it is best used under 0.5km. Each CB54 has one RJ-45 PoE port and utilizes a 12VDC power supply. For IP camera applications, 5 CB54 or less per 1 AirEther AB54 access point is best.



AirEther CB54

### Camera Access Point

The AirEther AB54 series access point is the premiere outdoor 2.4GHz camera access point. It is available in AB54 or AB54E models. Which is model best used, depends on the angle of coverage to the Camera Client Bridge, the CB54. For optimal IP video bandwidth availability plus extra system operating margin, no more than 5 CB54 per AB54 series access point should be used. Refer to the chart below for best selection for cameras located no more than 0.5km.



AirEther AB54

### Distance to farthest CB54 < 0.5km

Angle of Coverage	AB54	AB54E
< 40 degrees	+	
< 75 degrees		+ PA09
< 360 degrees*		+ OA09

### Distance to farthest CB54 < 5km

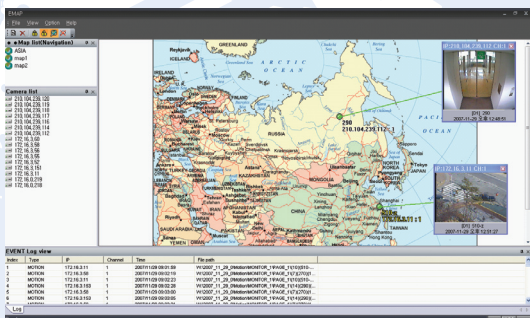
Angle of Coverage	AB54	AB54E
< 40 degrees	+	
60 degrees ~ 180 degrees		+ SA1218
< 360 degrees*		Not recommended

\* The use of Omni directional antenna is not recommended if the AB54 or AB54E & panel or sector antenna could be used.

### IP Surveillance Camera








The AirGoggle NVC series professional IP security camera system is available in indoor, indoor or outdoor, and fixed or PTZ types. Refer to the below table for your reference:

Continue on page 5



NVM 1000 with E-Map Feature

Inscape Data IP Camera Matrix

Camera Type	Indoor		Indoor/Outdoor	
Fixed	NVC300 	NVC210  <b>See Fixed IP Camera Optional Wall Mount Bracket Table</b>	NVC 800  IR Illuminator Built-In & IP66	NVC360  Vandal Proof & IP66, Dual CCD, IR Illuminator*
PTZ	NVC1018 NVC1026 	NVC3018 NVC3026  Vandal Proof & IP66	NVC910  Vandal Proof & IP66	

Fixed IP Camera Optional Outdoor Housing



CH100HB + CB300  
KIT P/N: CH1300HB  
All Weather  
Cable Management  
Heater & Blower  
-30C to +60C

CH200HB + CB200  
KIT P/N: CH2200HB  
All Weather  
Standard Enclosure  
Heater & Blower  
-30C to +60C

CH300HB + CB100  
KIT P/N: CH3100HB  
All Weather (IP66)  
Extended Length for  
Optional Camera Lens  
Optional Wiper  
Heater & Blower  
-30C to +60C

Please ask your Inscape Data sales associate or sales channel partner on the optional mounting accessories for the NVC1000 and NVC3000 series PTZ dome cameras and outdoor shielded cables.

# Inscape Data & Nationwide Security Cameras Announce Strategic Distribution Partnership

Continued from page 1

I am confident that our growing relationship with Nationwide Security Camera will yield long-term benefits to both our companies and the market."

With this Strategic Distribution Agreement, Nationwide Security Cameras will gain an innovative, cost-effective and high quality source of supplies for its wireless and IP video security systems and IP video accessories. Inscape Data will provide Nationwide Security Cameras with essential product training, engineering support, technology updates, new product samples, and joint marketing campaigns. Mark Rosenfeld, President of Nationwide Security Camera notes, "We are extremely impressed by the quality, features, and price competitiveness of Inscape Data" referring to the AirEther and AirGoggle lines of wireless communication and IP video security products. Nationwide Security Camera is eager to present these products to it's customers as they have seen increasing demands from the market for these types of products. The AirGoggle line of network video security products is a great addition to the Nationwide Security Camera distribution portfolio.

### About Nationwide Security Cameras

Nationwide Security Cameras & Spy Equipment, Inc. is a company dedicated to providing the highest quality in security & spy equipment. The company has a long history of serving the security market in the North America. The goal of the company is to ensure customers receive the highest quality of equipment and services at affordable rates. The additional company information can be found at <http://www.nationwidesecuritycameras.com>.

# Inscape Data

The Expert in Wireless and IP Video Systems

United States Headquarters  
1611 South Main Street  
Milpitas, CA 95035, U.S.A.  
Customer Service and Orders:  
Phone: +1.408.935.8500  
Toll Free: 1.888.267.4507  
Fax: +1.408.935.8900  
[sales@inscapedata.com](mailto:sales@inscapedata.com)

Asia Headquarters  
Inscape International Co., Ltd  
34F-1, No. 170, Jingping Road  
Zhonghe City, Taipei County, 235,  
Taiwan, R.O.C.  
Phone: +886.2.2949.4141  
Fax: +886.2.2949.2684

## About Inscape Data Corporation

Founded on a culture of business excellence and product innovation, Inscape Data is an industry leader in long range wireless communication and IP based video surveillance systems. They offer a full suite of turnkey solutions for long range 2.4GHz & 5GHz wireless and IP based video surveillance applications, including their AirEther™ Wireless Systems with IP67/68- (Ingress Protection) certified all-weather wireless systems and their AirGoggle™ IP based Video Security Systems based on MPEG-4 video compression standards.

With strong, dependable, and proven manufacturing capabilities in Taiwan, Inscape Data is committed to delivering products that provide differentiated value to its customers and partners worldwide. Continuing in this pioneering spirit of excellence and innovation, Inscape Data looks forward to developing and introducing cutting-edge technology solutions with a unique competitive advantage to the marketplace in the future.

