



## AirGoggle™ NVC360MP-DN-IR Megapixel Vandal Proof Dome Day/Night Video Camera

AirGoggle NVC360MP-DN-IR Megapixel Vandal Proof Dome Day/Night Video Camera uses a dual codec supporting H.264 & Motion JPEG digital video compression standards. The NVC360MP-DN-IR megapixel vandal proof dome video camera uses a 2.0 megapixel CMOS image sensor that delivers crisp and clear images, perfect for the identification of objects and persons, and the resolution is at least three times better than an analog CCTV camera. The high quality lens uses DC-iris control for improving the depth of field and protecting the sensor at intensely illuminated scenes.

Another powerful features include optional flash memory for local storage and multiple simultaneous video streams of differentiated resolutions and frame rates, and these two powerful features will secure video storage if the network becomes unavailable and ensure the highest video quality service while enabling simultaneous connections through lower speed networks. Other key features including built-in PoE and analog video output that will add convenience in the installation while saving the installation cost.

The NVC360MP-DN-IR megapixel vandal proof dome IP video camera is designed with a dome style housing and presents friendly looking appearance that can be blended with surrounding structure more smoothly, i.e., ceiling or wall, and it is the best choice when a traditional camera design is preferred for deterrence. The viewing direction is set once the camera is mounted. The megapixel resolution allows important areas like entrances or checkouts to be monitored in great detail.



### KEY FEATURES & BENEFITS

- ▶ **2.0 megapixel color video resolution**
- ▶ **Dual-Codec supporting H.264 & MJPEG digital video compression standards**
- ▶ **Progressive scan Mega pixel, 2.0 Mega Pixel CMOS image sensor**
- ▶ **Mobile Phone Support**
- ▶ **Multi-profile streaming (Up to 3 streams of different resolutions, frame rates and codec selections)**
- ▶ **Power over Ethernet (PoE)**
- ▶ **Two-way audio support**
- ▶ **3-axis lens mount**
- ▶ **Vandal proof & weather proof, IP66 compliant**
- ▶ **Analog video output, CVBS (Composite Video Baseband Signal)**
- ▶ **Optional flash memory for local storage**

### APPLICATIONS



#### CAR LICENSE PLATE

The megapixel resolution reads text on a car license plate with better clarity for car license identification



#### ENTRANCE

The megapixel resolution monitors important areas like entrances or checkouts to be monitored in great detail



#### SHOPPING MALL

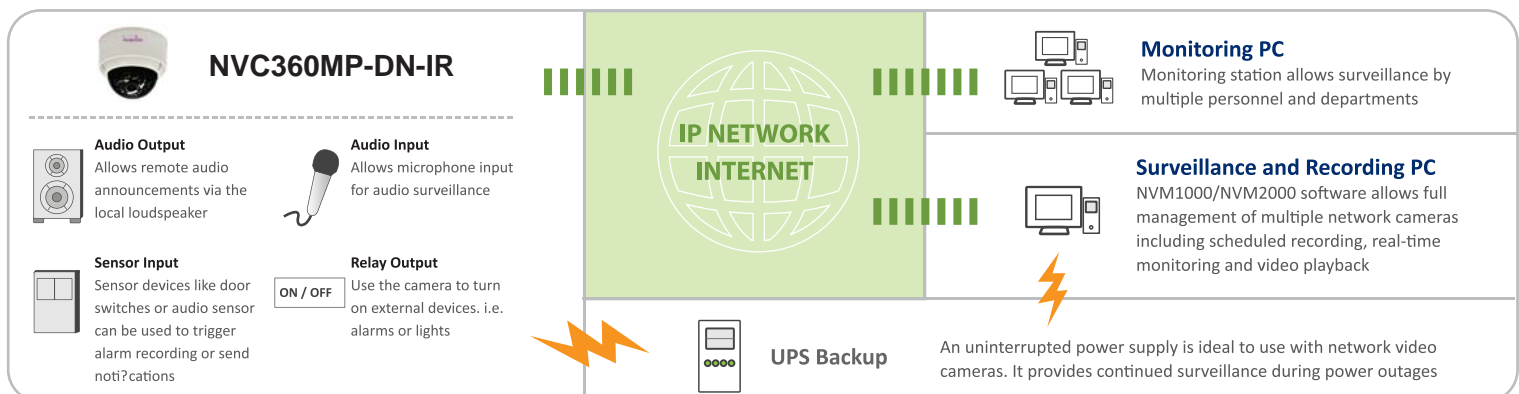
The megapixel resolution delivers crisp and clear images that is perfect for the identification of objects and persons in a public area



#### AIRPORTS

Regardless if it is inside or outside of an airport, Inscape Data offers total wired or wireless IP based video security solutions that will save on your installation cost and make your monitoring more efficient

### SYSTEM CONFIGURATIONS



Camera Module	
Image sensor	Progressive scan 1/3.2 inch CMOS 2.0M pixels
Full resolution	1,600 x 1,200 pixels (UXGA)
Min. illumination (50IRE)	0.2Lux/F1.2 (IR On = 0 Lux)
S/N Ratio	42db
White Balance	AWB(=2500°C~6500°C)
DSS	Supported
Lens	Vari-focal 3.6~16mm, F1.2
Day & Night	Supported (TDN, IR LED)

Video Part	
Compression method	Simultaneous Dual Codec (H.264 / MJPEG)
Resolution	-15fps@1600x1200 / 1280x1024 -30fps@1280x720 / 800x608 / 640x480 / 704x480 / 704x240 / 352x240 / 176x112
Multi-Profile Streaming	- 3 simultaneous video profiles - Select the codec type, resolution and frame rates for each profile.
Intelligent Bit-Rate Control	CBR, VBR, HBR
PTZ	Digital PTZ & Video Crop
Image Setting	Text overlay, Privacy mask, De-interlace filter
Motion detection	3 regions

Audio Part	
Mono Upstream	32Kbps G.726 ADPCM ~ LINE-in / MIC-in
Mono Downstream	128Kbps 16-bit Linear PCM ~ LINE-out(1Vpk)
Stereo	Stereo support

Network	
Network Protocol	-IPv4/v6, TCP, UDP, IGMP, ICMP, ICMPv6, ARP, RARP, PPPoE, RTCP -- RTP, RTSP, SDP, HTTP, HTTPS, SMTP, FTP, DHCP, UPnP, SNMP - NTP, DNS, DynDNS, SOCKS, QoS layer 3 DiffServ, Bonjour
Dynamic IP	Supported
Security	-User ID & Password protection, IP address filtering - HTTPS encryption, Digest Authentication, User Access Log

External Terminals	
LAN	10/100BaseT LAN (auto NDX)
Analog output	1 channel D1 CVBS output of the encoding video
Alarm input / output	Alarm I/O (1 Sensor input & 1 Relay output)
Factory Reset	Supported
Other	Two Stereo Jack / RS-232 Debug / 12VDCin

Installation	
Standard PoE (IEEE802.3af)	Supported

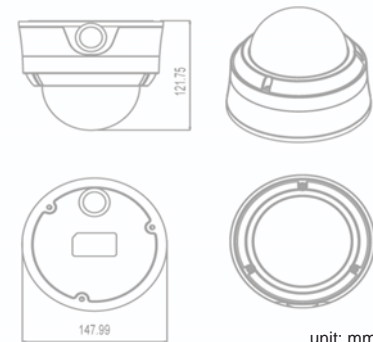
System Integration	
Intelligent Video	Motion Detection + IVS module(option)
Alarm Triggers	Intelligent Video + Sensor Input
Alarm Events	video file upload(FTP), still Image(Email), PTZ presets, Relay output
Video Buffer	00 sec Pre-alarm & 00 sec Post-alarm
3G mobile	3G mobile phone support
Fan/Heater	Fan/Heater interface with embedded control algorithm using a thermometer for outdoor vandal products

Client Software	
NVR100	16ch (free of charge)

Operating Environment, Power, Dimensions	
Operating Temperature	-PoE power: -10°C~50°C (14°F ~ 122°F) -DC power: -40°C~50°C (-40°F ~ 122°F)
Operating Humidity	8~80% RH
Power	12VDC, 2A with heater and IR LED, 24W
Dimensions(W x D)	148mm(6") x 122mm(5")
Weight	1Kg (2lbs)
Casing	AL, PC
Approvals	FCC, CE, MIC, RoHS
Package information	IP Camera, CD (User's guide, Software...), DC power adaptor, L wrench, ceiling mount, Screws

Optional Items	
WiFi	Dual band wireless, Ethernet Injector & Surge Suppressor, 5 port PoE Switch
Local storage	SD card or flash memory
Bracket	Wall, Ceiling and Embedded

Compliance	



unit: mm

MOUNTING OPTIONS

Wall Mount

SDWM001M  
Outdoor Wall Mount Bracket Kit



Ceiling Mount

SDCM001M  
Outdoor Ceiling Bracket Kit



Embedded Mounting

SDEM360  
for NVC360H-DN-IR Model Only



COMPATIBILITY

1. NVM1000\*



2. NVR100\*



3. NVM2000\*\*



\* Included with purchase \*\* Available for purchase

PACKAGE CONTENT

1. NVC360MP Dome Camera (Ceiling Mount)
2. Product CDROM
3. Installation Screws x5
4. Viewer / Recorder Software
5. I/O Terminal Block (5 Pin 2EA)
6. Power Supply



THE LEADING  
OUTDOOR NETWORK  
APPLIANCE COMPANY

Product Information Online: <http://www.inscapedata.com/nvc360mp.htm>

Corporate Headquarters  
1620 Oakland Road, Suite D101, San Jose, CA 95131, U.S.A.  
PHONE +1.408.392.9800 FAX +1.408.392.9812  
EMAIL sales@inscapedata.com

Total Turnkey Solutions for Outdoor PoE, Wired/Wireless, and IP Video Applications

© Copyright 2011, Inscape Data Corporation, All Rights Reserved. LinkPower, AirEther, AirGoogle and Inscape Data are trademarks of Inscape Data Corporation

Disclaimer: While every effort is made to ensure the information given is accurate, Inscape Data Corporation does not accept liability for any errors or mistakes which may arise. All specifications are subject to change without notice.