



Key Features & Benefits

Wide Dynamic Video Technology

Available with NVC300WD to ensure details of high contrast scenes to appear clear with accurate color in both bright and dark areas simultaneously

IR Sensitive True Day and Night Functionality

Removable infrared-cut filter provides color video when there is sufficient light and black & white video in dark environments. The high performance image sensor is IR sensitive for pitch black operation when used with an infrared illuminator

802.3af Power over Ethernet (PoE)

PoE eliminates power connection at the camera location. The convenience of running a single network cable eliminates the need for power sources near the camera

High Quality Full Motion IP Video Codec

Stream full motion D1 720 x 480 live color video images across a local or wide area network. Network connected computers can monitor, record, and playback security video with ease

Multi-Region Motion Detection

Increase motion sensitivity in multiple regions you specify or mask areas where motion is allowed for precise motion detection control.

MPEG4 + JPEG Streaming

Dual Streaming for mobile WAP network

Embedded Streaming Web Server

The suite of functions from the embedded streaming web server makes accessing real-time video easy from any Internet Explorer enabled computer.

3 Axis Lens Mechanical Adjustment

The 3 axis adjustable lens allows surveillance images to be upright if the dome camera is installed on a wall or ceiling

Synchronized Audio/Video and Two-Way Audio Communication

Audio line in and line out interface(s) with software selectable audio features provide synchronized audio surveillance and announcement capabilities from the monitoring station

Full Featured 64 Channel Professional Network Video Monitoring and Recording Software

Included with this product purchase is a license-free copy of 64 channel full featured network video monitoring and recording software for Windows PC. User will be able to manage alarms, trigger relays, enable two-way audio communication, schedule recording, setup alarm recording, playback pre-recorded video, user selectable video storage location, and much more

Model Selections

Model	Color	D/N Day:color Night: Black/White	IR	Wide Dynamic
NVC300R2	✓			
NVC300R2-DN	✓	✓		
NVC300R2-DN-IR	✓	✓	✓	
NVC300WD	✓			✓
NVC300WD-DN	✓	✓		✓

AirGoggle™ NVC300 Series

Professional Fixed Minidome IP Video Camera

The AirGoggle NVC300R2 and NVC300WD are all-in-one high-performance professional fixed minidome day and night IP surveillance cameras. Both come standard with an auto-iris vari-focal lens. The NVC300R2 and NVC300WD cameras deliver crisp full D1 high quality MPEG-4 full motion real-time video across an IP network. The convenient option of Power over Ethernet allows power and data over a single network cable. The NVC300R2 and NVC300WD IP cameras have a 3-axis lens adjustment for easy installation onto vertical, horizontal, or diagonal mounting surfaces. Reliable and high performance design, along with a host of convenient features, makes the AirGoggle NVC300R2 and NVC300WD fixed minidome IP cameras ideal for indoor professional security surveillance applications.

The NVC300WD model with wide dynamic range has an added benefit of digital pixel technology. Wide dynamic range tackles severe backlight and glare issues by dynamically compensating contrast to deliver uniform steady clear video images. The digital pixel technology brings true digital performance throughout the entire real-time encoding process from the moment objects are captured through the lens to the encoded images across the network. The synergy of these two enhancement technologies brings forth the best signal to noise and low light sensitivity in its class for the most demanding video surveillance applications.

Applications



AIRPORTS

Regardless if it is inside or outside of an airport, Inscape Data offers total wired or wireless IP based video security solutions that will save on your installation cost and make your monitoring more efficient



METROPOLITAN STREETS

Inscape Data's wired and wireless IP based video security solutions will save on your installation cost and make the streets and metropolitan safer



BUILDINGS

Inscape Data's wired and wireless IP based video security solutions will save on your installation cost and make your buildings more secure



SCHOOL CAMPUS

Regardless if it is inside classrooms or on a campus, Inscape Data's wired and wireless IP based video security solutions will save on your installation cost and make monitoring easier

System Configurations

Bi-directional audio



NVC300 Series



Audio Output

Allows remote audio announcements via the local loudspeaker



Audio Input

Allows microphone input for audio surveillance



Sensor Input

Sensor devices like door switches or audio sensor can be used to trigger alarm recording or send notifications



Relay Output

Use the camera to turn on external devices. i.e. alarms or lights

Surveillance and Recording PC

NVM1000/NVM2000 software allows full management of multiple network cameras including scheduled recording, real-time monitoring and video playback



UPS Backup

An uninterrupted power supply is ideal to use with network video cameras. It provides continued surveillance during power outages



Monitoring PC

Monitoring station allows surveillance by multiple personnel and departments

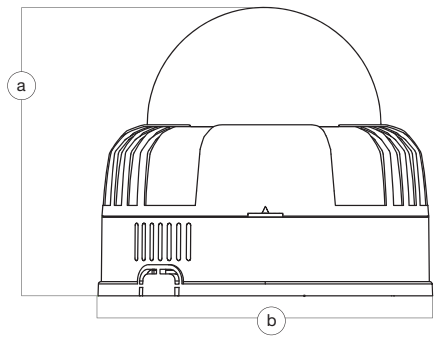


IP Network

NVC300R2 NVC300R2-DN NVC300R2-DN-IR

NVC300WD NVC300WD-DN

Camera			
Image Sensor	1/3" Sony Super HAD CCD		Sony WDR
Scanning System		INTERLACE / INTERPOLATE	
Total Image	NTSC	811(H) x 508(V) 410K	
Pixels	PAL	795(H) x 596(V) 470K	742(H) x 552(V) = 409584
Number Of	NTSC	768(H) x 494(V) 380K	
Effective Pixels	PAL	752(H) x 582 (V) 440K	720(H) x 540(V) = 388800
Horizontal resolution		480 TV Lines	
Lens		DC-Iris Varifocal Lens (f=3.3~12mm), Not Removable	
Horizontal Field of View		38 to 97 Degrees	
Minimum Object Distance		0.4Meter	
Day & Night modes		AUTO	
Digital Slow Shutter		None	
Minimum	Normal mode	0.33 Lux	
Illumination	Night (B/W) mode	0.03 Lux	
Luminance S/N Ratio		more than 50dB (AGC off)	
180 Degrees Video Rotation		ENABLE/DISABLE	
OSD Time Display		ON/OFF 4 Position	
White Balance		None	
Image (NTSC/PAL)			
Compression Format		MPEG-4 up to 30/25 fps at D1 resolution / JPEG for WAP up to 4 fps	
Resolution		NTSC: D1 (720x480), Half D1 (720x240), CIF (352x240), QCIF (176x144) PAL: D1 (720x576), Half D1 (720x288), CIF (352x288), QCIF (176x144)	
Maximum Frame Rate		Up to 30/25 at all resolution (Available: 1, 4, 8, 15, 20, 30)	
Video Encoding Rate		32kbps ~ 3000kbps	
Audio			
Audio Compression		Synchronized ADPCM Enable/Disable (32kbps) Bi-directional using PCM	
Network			
Protocols		HTTP, TCP/IP, RTSP, UDP, IGM, SMTP, FTP, DHCP, ARP, DNS, NTP, PPPoE	
Other network settings		Clone MAC address, HTTP/RTSP Port change	
Maximum User Access @ Video Rate		40@160kbps, 14@512kbps, 7@1000kbps, 2@3000kbps	
Security		Multi-User Viewing Authentication, IP Address filtering, 128bit encrypted data stream	
Alarm and Event Management		Event Trigger Email, FTP, or Recording Based on Video Motion Detection or External Sensor Input	
Embedded Web Server		Instant access to live streaming video & full p/t/z functionality via Internet Explorer	
Data Transmission		Unicast	
Dynamic DNS Management		Supported via free service at mgmt.airgoggle.com	
Interface			
Network		10 BaseT /100BassTx / 802.3af PoE (RJ45)	
I/O Port(s)		1 Sensor input, 1 Relay output	
Audio Line Output		1 port 3.5mm 3 conductor Mini-jack (tip, ring, sleeve) 0.886Vp-p	
Audio Line Input		1 port 3.5mm 3 conductor Mini-jack (tip, ring, sleeve) 1.6Vp-p	
Composite Video Out		2 Pin, Composite (1 V p-p), 75 Ohm	
Power Connector Type		2.5 mm Barrel, Center Pin Positive	
Hardware Reset		Reset Button	
System Requirements			
Operating System		Microsoft Windows 2000/XP/2003	
Processor / Memory		CPU: Intel Pentium IV / 512MB	
Network Video Recorder Software-16 Ch.		CPU: Intel Pentium IV 3GHz / 512MB	
Browser		Microsoft Internet Explorer V5.0 or higher	
Management			
HTTP		ActiveX Supported Web Browser	
Software		IP Camera Network Configuration (Windows)	
Environmental			
Construction		Body (Polycarbonate / ABS)	
Camera Dimensions (D x H)		Ø161.8 x 113.3mm (Ø6.3" x 4.5")	
Weight		580g (1.28 lbs)	
Storage Temperature		-20°C~-70°C (-4°F~-158°F)	
Operating Temperature		0°C~45°C (32°F~113°F)	
Operating Humidity		8 ~ 80% RH Non-Condensing	
Outdoor Usage		Not Recommended	
Power			
Power Consumption		10W	
Power Supply (PoE)		802.3af / 48V DC	
Power Supply (Local)		12 V DC	
Compliance			



- a. 113.3mm
- b. 161.8mm



Bottom View

Video Accessories

PIA100
48VDC Integrated PoE Power Adapter for NVC210WD



Package Contents

1. IP Camera with Integrated Lens
2. Power Supply 12VDC 1.5A
3. 3pcs 1" Surface Mount Screw
4. Guide Pattern Mounting Template
5. Product CDROM

Compatibility

1. NVM1000*



2. NVR100*



3. NVM2000**



- * Included with purchase
- ** Available for purchase