



Key Features & Benefits

Wide Dynamic Video Technology
 Available with NVC210WD to ensure details of high contrast scenes to appear clear with accurate color in both bright and dark areas simultaneously

802.3af Power over Ethernet (PoE)
 PoE eliminates power connection at the camera location. The convenience of running a single network cable eliminates the need for power sources near the camera

IR Sensitive True Day and Night Functionality
 Removable infrared-cut filter provides color video when there is sufficient light and black & white video in dark environments. The high performance image sensor is IR sensitive for pitch black operation when used with an infrared illuminator

High Quality Full Motion IP Video Codec
 Stream full motion D1 720 x 480 live color video images across a local or wide area network. Network connected computers can monitor, record, and playback security video with ease

Multi-Region Motion Detection
 Increase motion sensitivity in multiple regions you specify or mask areas where motion is allowed for precise motion detection control

MPEG4 + JPEG Streaming
 Dual Streaming for mobile WAP network

Embedded Streaming Web Server
 The suite of function from the embedded streaming web server makes accessing real-time video easy from any Internet Explorer enabled computer

Event Driven Real-Time Notification
 The integrated sensor input, alarm output, and video motion detection provides actionable event trigger capable of sending a video clip via email or FTP and turn on/off external relays

Synchronized Audio/Video and Two-Way Audio Communication
 Audio line in and line out interface(s) with software selectable audio features provide synchronized audio surveillance and announcement capabilities from the monitoring station

Full Featured 64 Channel Professional Network Video Monitoring and Recording Software
 Included with this product purchase is a license-free copy of 64 channel full featured network video monitoring and recording software for Windows PC. User will be able to manage alarms, trigger relays, enable two-way audio communication, schedule recording, setup alarm recording, playback pre-recorded video, user selectable video storage location, and much more

AirGoggle™ NVC210 Series

Professional Fixed Box Day/Night IP Video Cameras

The AirGoggle™ NVC210 Series are all-in-one high-performance professional fixed day and night IP surveillance cameras. Both come standard with an auto-iris vari-focal lens. The NVC210 series camera delivers crisp full D1 high quality MPEG-4 full motion real-time video across an IP network. The convenient option of Power over Ethernet enables power and data over a single network cable. The NVC210R2 and NVC210WD network cameras have a compact aluminum bodies for installation onto vertical or horizontal mounting surface. When used for outdoor surveillance, a wide selection of complementary camera housing accessories and lenses are available. High performance and reliable design, along with a host of convenient features, makes the AirGoggle™ NVC210 series cameras ideal for indoor or outdoor* professional security surveillance applications.

The NVC210WD model with wide dynamic range has an added benefit of digital pixel technology. Wide dynamic range tackles severe backlight and glare issues by dynamically compensating contrast to deliver uniform steady clear video images. The digital pixel technology brings true digital performance throughout the entire real-time encoding process from the moment an object is captured through the lens to the encoded images across the network. The synergy of these two enhancement technologies brings forth the best signal to noise and low light sensitivity in its class for the most demanding video surveillance applications.

Applications



AIRPORTS
 Regardless if it is inside or outside of an airport, Inscape Data offers total wired or wireless IP based video security solutions that will save on your installation cost and make your monitoring more efficient



METROPOLITAN STREETS
 Inscape Data's wired and wireless IP based video security solutions will save on your installation cost and make the streets and metropolitan safer



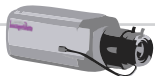
BUILDINGS
 Inscape Data's wired and wireless IP based video security solutions will save on your installation cost and make your buildings more secure



SCHOOL CAMPUS
 Regardless if it is inside classrooms or on a campus, Inscape Data's wired and wireless IP based video security solutions will save on your installation cost and make monitoring easier

System Configurations

Bi-directional audio



NVC210 Series

Audio Output
 Allows remote audio announcements via the local loudspeaker

Audio Input
 Allows microphone input for audio surveillance

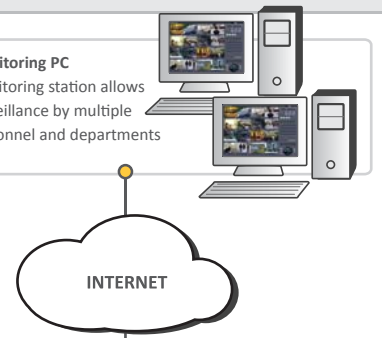
Sensor Input
 Sensor devices like door switches or audio sensor can be used to trigger alarm recording or send notifications

Relay Output
 Use the camera to turn on external devices. i.e. alarms or lights

Surveillance and Recording PC
 NVM1000/NVM2000 software allows full management of multiple network cameras including scheduled recording, real-time monitoring and video playback

UPS Backup
 An uninterrupted power supply is ideal to use with network video cameras. It provides continued surveillance during power outages

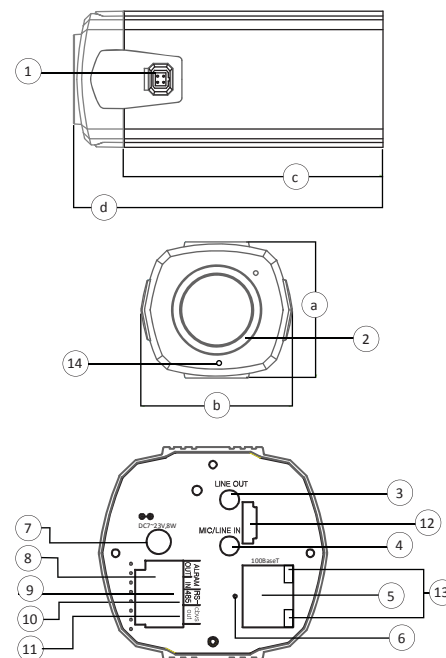
Monitoring PC
 Monitoring station allows surveillance by multiple personnel and departments



IP Network

NVC210R2/NVC210R2-DN NVC210WD/NVC210WD-DN

Camera		1/3" Sony Super HAD CCD		Sony WDR	
Image Sensor		INTERLACE / INTERPOLATE			
Scanning System					
Total Image	NTSC	811(H) x 508(V) 410K		742(H) x 552(V) = 409584	
Pixels	PAL	795(H) x 596(V) 470K			
Number Of	NTSC	768(H) x 494(V) 380K		720(H) x 540(V) = 388800	
Effective Pixels	PAL	752(H) x 582 (V) 440K			
Horizontal resolution		480 TV Lines			
Lens		DC-Iris Varifocal F1.4 / 3.5-8mm, Removable			
Horizontal Field of View		36 Degrees to 80 Degrees			
Minimum Object Distance		0.1 meter			
Lens Aperture		1.4			
Lens Mount		C/CS			
Lens Iris Support		DC Iris or ELC			
DC Level Adjustment		32 Level			
Sharpness		15 Level			
Day & Night modes		Auto			
Digital Slow Shutter		None			
Minimum Illumination		0.3 Lux / 0.03 Lux B/W			
Luminance S/N Ratio		More than 48dB(AGC Off)			
180 Degrees Video Rotation		Enable / Disable			
OSD Time Display		On/Off 4 Position			
Image (NTSC/PAL)					
Compression Format		MPEG-4 Up to 30/25fps at D1 resolution / JPEG for WAP up to 4fps			
Resolution		NTSC: D1 (720x480), Half D1 (720x240), CIF (352x240), QCIF (176x144) PAL: D1 (720x576), Half D1 (720x288), CIF (352x288), QCIF (176x144)			
Maximum Frame Rate		Up to 30/25 at all resolutions (Available: 1, 4, 8, 15, 20, 30)			
Video Encoding Rate		32kbps ~ 3000kbps			
Audio					
Audio Compression		Synchronized ADPCM Enable/Disable (32kbps) Bi-Directional using PCM			
Network					
Protocols		HTTP, TCP/IP, RTSP, UDP, IGMP, SMTP, FTP, DHCP, ARP, DNS, NTP, PPPoE			
Other network settings		Clone MAC address, HTTP/RTSP Port change			
Maximum User Access @ Video Rate		40@160kbps, 14@512kbps, 7@1000kbps, 2@3000kbps			
Security		Multiple-User Viewing Authentication, IP Address Filtering, 128bit Encrypted Data Stream			
Alarm and Event Management		Event Trigger Email, FTP or Recording Based on Video Motion Detection or External Sensor Input			
Embedded Web Server		Instant access to live streaming video & full p/t/z functionality via Internet Explorer			
Data Transmission		Unicast			
Dynamic DNS Management		Supported via free service at mgmt.airgoggle.com			
Interface					
Network		10 BaseT / 100BaseTx / 802.3af PoE (RJ45)			
Serial		RS-485 multiprotocol support for P/T/Z (Pelco D driver loaded)			
I/O Port(s)		1 sensor input, 1 relay output			
Audio Line Output		1 port 3.5 mm 3 conductor Mini-jack (tip, ring, sleeve) 0.886Vp-p			
Audio Line Input		1 port 3.5 mm 3 conductor Mini-jack (tip, ring, sleeve) 1.6Vp-p			
Microphone		Embedded Microphone Enable or Disable From Software			
Composite Video Out		2 Pin, Composite (1 V p-p), 75 Ohm			
Power Connector Type		2.5 mm Barrel connector, Center Pin Positive			
Hardware Reset		Reset button			
System Requirements					
Operating System		Microsoft Windows 2000/XP/2003			
Processor / Memory		CPU: Intel Pentium IV 1.8GHz/512MB			
Network Video Recorder Software-16 Ch.		CPU: Intel Pentium IV 3GHz/512MB			
Browser		Microsoft Internet Explorer V5.0 or Higher			
Management					
HTTP		ActiveX Supported Web Browser			
Software		IP Camera Network Configuration (Windows)			
Environmental					
Construction		Body(Zinc/Aluminum)			
Camera Dimensions (W x H x D)		64 x 57 x 137 mm (2.5" x 2.3" x 5.4")			
Lens Dimension		32 x 45.8 x 51 mm			
Weight		560g (1.23lbs)			
Storage Temperature		-20°C~70°C (-4°F ~149°F)			
Operating Temperature		0°C~45°C (32°F~140°F)			
Operating Humidity		8 ~80% RH Non-Condensing			
Outdoor Usage		Recommend Optional Camera Housing with Heater and Blower			
Power					
Power Consumption		10W			
Power Supply (PoE)		802.3af / 48V DC			
Power Supply (Local)		12 V DC			
Compliance		FC CE RoHS			



Camera Dimensions

a. 57.6mm b. 64.0mm c. 109.5mm d. 137.0mm

Camera Interfaces and Parts

- | | |
|---------------------------|-------------------------------------|
| 1. Auto Iris Connector | 9. Alarm / Sensor Input Connector |
| 2. CS Lens mount ring | 10. RS-485 connector |
| 3. Audio Line Out | 11. Composite Video Out |
| 4. Audio / Mic Line In | 12. Not Used |
| 5. RJ45 Jack | 13. Network Link/Activity Indicator |
| 6. Hardware reset pin | 14. Integrated Mic |
| 7. Power connector | |
| 8. Relay Output Connector | |

Video Accessories

PCHB1300

PoE Ready, All Weather Cable Management Heater & Blower
-30°C to +60°C
Camera Housing (CH100HB)
Housing Bracket (CB300)



PCHB2200

PoE Ready, All Weather Standard Encloser Heater & Blower
-30°C to +60°C
Camera Housing (CH200HB)
Housing Bracket (CB200)



PCHB3100

PoE Ready, All Weather Extended Length for Optional Camera Lens Heater & Blower
-40°C to +60°C
Camera Housing (CH300HB)
Housing Bracket (CB100)
*Optional Wiper



PIA100

48VDC Integrated PoE Power Adapter for NVC210WD



Compatibility



* Included with purchase

** Available for purchase

Package Contents

1. Camera Body
2. Lens Auto-Iris Varifocal Lens 3.5 ~ 8mm (CS Mount)
3. Lens Adapter C to CS Mount
4. DC Iris Lens Connector Kit
5. Back Focus Adjustment Wrench
6. Switching Power Supply 12VDC 1.5A
7. Swivel Arm Surface Mount Bracket with screws
8. Product CDROM



**THE LEADING
OUTDOOR NETWORK
APPLIANCE COMPANY**

Product Information Online: www.inscapedata.com/nvc210.htm

United States Headquarters 1620 Oakland Road, Suite D101, CA 95131, U.S.A.
PHONE +1.408.392.9800 TOLL FREE +1.888.267.4507 FAX +1.408.392.9812
EMAIL sales@inscapedata.com

Total Turnkey Solutions for Outdoor PoE, Wired/Wireless, and IP Video Applications