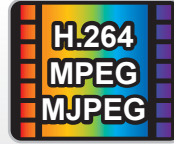




AirGoggle™ NVC1020MP2

Full HD 2 Mega-Pixel Indoor Speed Dome Camera



AirGoggle NVC1020MP2 Full HD 2 Mega-Pixel Speed Dome Camera uses a triple codec supporting H.264, MPEG & Motion JPEG digital video compression standards. With full HD 1980x1080 H.264 video resolution and efficient network real-time streaming, the NVC1020MP2 PTZ speed dome IP video camera provides high quality digital video without the high demand of network bandwidth. Standard features sets of the NVC1020MP2 include selectable ADPCM audio, event-driven recording video motion detection or quad external sensor inputs, pan / tilt / zoom to 165 preset location, and integrated IP video web server. In addition, the NVC1020MP2 model is designed with a Pixim CMOS WDR Image Sensor for viewing in extreme lighting situations and more clearly in darkness, and it provides excellent resolution and color accuracy allows better object and person identification

The AirGoggle NVC1020MP2 are offered in optical zoom lens, filter changeable day & night, or wide dynamic digital imaging optics. The rugged mechanical design, along with a host of convenient features, makes the high-performance AirGoggle NVC1020MP2 ideal for professional security surveillance applications.

APPLICATIONS



AIRPORTS



BUILDINGS



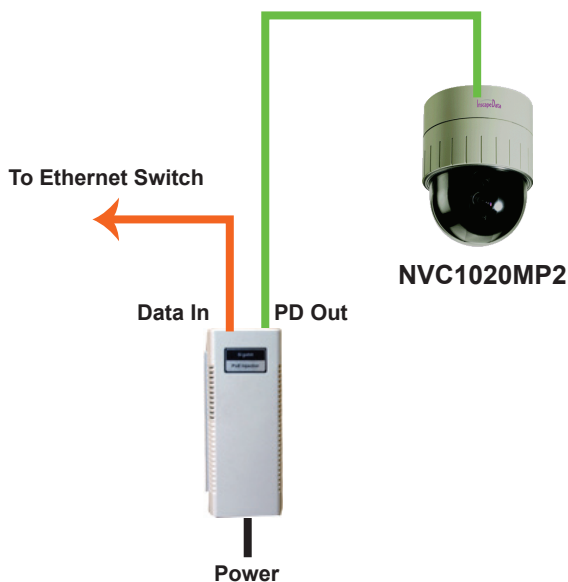
METROPOLITAN STREETS



SCHOOL CAMPUS

APPLICATION DIAGRAM

Standard IEEE802.3at PoE Injector



KEY FEATURES & BENEFITS

- ▶ Triple-Codec supporting H.264, MPEG & M-JPEG digital video compression standards
- ▶ Progressive Scan Megapixel (2 Mega-pixel CCD)
- ▶ IEEE802.3at PoE
- ▶ Multi-profile streaming
- ▶ IR Compatible Day and Night Operation
- ▶ Automatic Continuous Scan, Tour, and Pattern Operation
- ▶ Mobile Phone Support
- ▶ Simultaneous IP and CCTV Video Operation
- ▶ Intelligent Full Featured Pan Tilt Zoom and Programming
- ▶ Auto-Flip
- ▶ High Speed Pan/Tilt Operation
- ▶ Integrated Sensor, Alarm, and Relay Ports
- ▶ Power over Ethernet (PoE)

TECHNICAL SPECIFICATIONS

Camera Part (PTZ Mechanism, Camera Module)

Imager	Image Sensor	1 / 2.8 Type Exmor CMOS Sensor		
	Effective Pixels	3270K Pixels		
	Progressive Scan	Yes		
	Output Pixel@fps	1920x1080@30fps		
Lens	Optical Zoom	20x (f=4.7mm~94mm)		
	Practical f - value	f = 4.7mm(W) ~ 94mm(T)		
	F - value	F1.6~F3.5		
	Zoom Speed	Optical Wide – Optical Tele	Optical Wide – Digital Tele	Digital Wide – Digital Tele
		2.3 sec(Focus Tracking On)	4.3 sec(30p/60p mode)	2.1 sec(30p/60p mode)
		1.6 sec(Focus Tracking Off)	4.9 sec(25p/50p mode)	2.6 sec(25p/50p mode)
	Focus Movement Time	~ Near : 0.8 sec		
Angle of View (H)	Approx. 55.4 degrees (Wide End) , Approx. 2.9 degrees(Tele End)			
Digital Zoom		12x (240x with Optical Zoom)		
Min. Working Distance		10mm(Wide End), 1000mm(Tele End)		
Min. Illumination	0.5Lux	(1/30 sec, 50%, High Sensitivity Mode On)		
	1.7Lux	(1/30 sec, 50%, High Sensitivity Mode Off)		
	0.08Lux	(NTSC1/4 sec, PAL 1/3 sec. 50%, High Sensitivity Mode On)		
	0.26Lux	(NTSC1/4 sec, PAL 1/3 sec. 50%, High Sensitivity Mode Off)		
	0.095Lux	ICR-On Mode (1/30 sec, 50%, High Sensitivity Mode On)		
	0.3Lux	ICR-On Mode (1/30 sec, 50%, High Sensitivity Mode Off)		
	0.005Lux	(NTSC1/4 sec, PAL 1/3 sec. 30%, High Sensitivity Mode On)		
	100Lux ~ 100,000Lux	Recommended Illumination		
Sync System		Internal		
S/N Ratio		50dB (Weight On)		
Back Light Compensation		ON/OFF		
Electronic Shutter Speed	60/30 Mode	1/1 sec ~ 1/10,000 sec (22 Steps)		
	50/25 Mode	1/1 sec ~ 1/10,000 sec (22 Steps)		
White Balance		AUTO, ATW, Indoor, Outdoor, One Push WB, Manual WB, Outdoor Auto, Sodium Vapor Lamp (Fix/Auto)		
Gain		Auto / Manual (-3 dB ~ +28 dB, 16 Steps)		
		Max. Gain Limit (6 dB ~ 28 dB, 12 Steps)		
Wide Dynamic Range		ON/OFF/AUTO		
Noise Reduction		ON/OFF (Level 5 ~ 1 / OFF, 6 Steps)		
Color Enhancement		ON/OFF		
Aperture Control		16 Steps		
Preset		6-POSITIONS		
Serial Interface		VISCA Protocol (CMOS 5V) 9.6 kbps, 19.2 kbps, 38.4 kbps, Stop bit, 1 bit		
Video Output	HD	Analog Component (Y/Pb/Pr), Digital (LVDS)		
	Analog SD	VBS		

Video Part	
Compression method	Simultaneous Triple Codec (H.264 /MPEG-4/ MJPEG)
Resolution	- 1920X1080@30fps
Multi-Profile Streaming	- 5 simultaneous video profiles - Select the codec type, resolution and frame rates for each profile.
Intelligent Bit-Rate Control	CBR,VBR, HBR
PTZ	Digital PTZ & video crop
Image Setting	Text overlay, Privacy mask, De-interlace filter
Motion detection	3 regions

Audio Part	
Mono Upstream	32Kbps G.726 ADPCM ~ LINE-in / MIC-in
Mono Downstream	64Kbps u-law PCM ~ LINE-out(1Vpk)
Stereo	Stereo support

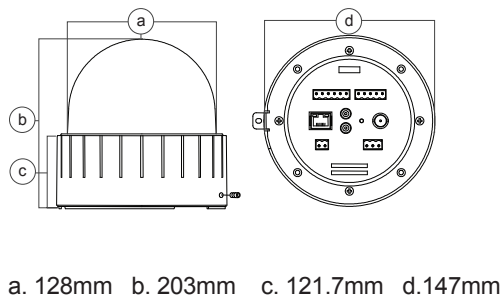
Network	
Network Protocol	-IPv4/v6, TCP, UDP, IGMP, ICMP, ICMPv6, ARP, RARP, PPPoE, RTCP -- RTP, RTSP, SDP, HTTP, HTTPS, SMTP, FTP, DHCP, UPnP, SNMP - NTP, DNS, DynDNS, SOCKS
Dynamic IP	Supported
Security	-User ID & Password protection, IP address filtering - HTTPS encryption, Digest Authentication, User Access Log

External Terminals	
LAN	10/100BaseT LAN (auto MDIX)
Analog output	1 channel D1 CVBS output of the encoding video
RS-485	RS-485 for external PTZ device
Alarm input / output	Alarm I/O (4 Sensor input & 2 Relay output)
Factory Reset	Supported
other	Two Stereo Jack / RS-232 Debug / 12VDCin

System Integration	
Intelligent Video	Motion Detection + IVS module(option)
Alarm Triggers	Intelligent Video + Sensor Input
Alarm Events	video file upload(FTP), still Image(Email), PTZ presets, Relay output
Video Buffer	5~15sec Pre-alarm & 15~5sec Post-alarm (total 20sec)
PTZ control	64 presets, guard tour, PTZ control queue
3G mobile	3G mobile phone support

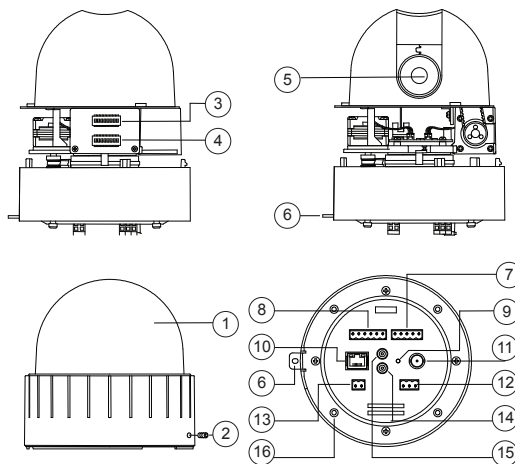
Operating Environment, Power, Dimensions	
Operating Temperature	-Without heater : -10°C ~ 50°C(14°F ~ 122°F) -With heater : -40° C ~50°C (-40°F~122°F)
Operating Humidity	20~80% RH
Power	IEEE802.3at PoE or 12VDC, 2A / 24W
Dimensions (W x D)	253mm(10") x 462.7mm(18")
Weight	5.3kg (11.7lbs)/Net
Casing	PC/AL/ABS, Ivory
Approvals	FCC, CE, MIC, RoHS

SYSTEM DIMENSIONS



a. 128mm b. 203mm c. 121.7mm d. 147mm

SYSTEM INTERFACES & PARTS



1. Dome Cover
2. Lock Screw
3. DIP Switch 1
4. DIP Switch 2
5. Zoom Lens
6. Lock Holder
7. Relay output Connector
8. Alarm/Sensor input connector
9. Power LED
10. Ethernet Port
11. Video Output Connector
12. Power Connector - 24VAC
13. RS485
14. Audio / MIC Line IN
15. Audio Line Out

MOUNTING OPTIONS

Wall Mounting



SDGHA001

Indoor Wall Mount Bracket Kit

Wall Mounting with Junction Box



SDGHA001

SDJB001

Wall Mounting with Junction Box & Wiring Kit*



SDGHA001

SDJBP001

*Wiring kit junction box for Ethernet, Power, Relay, I/O Port, RS485

Pole Mounting



SDGHA001

SDPA001v2

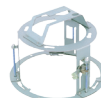
Corner Mounting



SDGHA001

SDCA001v2

Embedded Mounting



SDEM001

Embedded Mounting



SDPHM001

COMPATIBILITY

NVM1000*



NVR100*



NVM2000**



PTC800**



* Included with purchase

** Available for purchase

PACKAGE CONTENTS

1. Ceiling Mount Bracket / Cover
2. Transparent Bubble
3. I/O, Audio, Terminal Block
4. Product CDROM
5. Power Supply

ACCESSORY

PIA200

48VDC Integrated
PoE Power Adapter



ACCESSORIES: SPEED DOME BUBBLES



SDB1000 (Smoke)



SDB1000C (Clear)



THE LEADING
OUTDOOR NETWORK
APPLIANCE COMPANY

Product Information Online: <http://www.inscapedata.com/nvc1000mp.htm>

Corporate Headquarters
1620 Oakland Road, Suite D101, San Jose, CA 95131, U.S.A.

PHONE +1.408.392.9800 FAX +1.408.392.9812

EMAIL sales@inscapedata.com

Total Turnkey Solutions for Outdoor PoE, Wired/Wireless, and IP Video Applications

© Copyright 2013, Inscape Data Corporation, All Rights Reserved. LinkPower, AirEther, AirGoogle and Inscape Data are trademarks of Inscape Data Corporation

Disclaimer: While every effort is made to ensure the information given is accurate, Inscape Data Corporation does not accept liability for any errors or mistakes which may arise. All specifications are subject to change without notice.