



AirGoggle™ NVC1000H Series H.264 Indoor IP Mini Speed Dome Video Camera

AirGoggle NVC1000H Series H.264 Indoor IP Speed Dome Video Camera uses a dual codec supporting H.264 & Motion JPEG digital video compression standards. With full D1 720x480 H.264 video resolution and efficient network real-time streaming, the NVC1000H series PTZ speed dome IP video camera provides high quality digital video without the high demand of network bandwidth. Standard features sets of the NVC1000H include selectable ADPCM audio, event-driven recording video motion detection or quad external sensor inputs, pan / tilt / zoom to 165 preset location, and integrated IP video web server. In addition, the NVC1036WDH model is designed with a Pixim CMOS WDR Image Sensor for viewing in extreme lighting situations and more clearly in darkness, and it provides excellent resolution and color accuracy allows better object and person identification

The AirGoggle NVC1000H cameras are offered in six packages, including 27X, 33X, 36X or 37X optical zoom lens, filter changeable day & night, or wide dynamic digital imaging optics. The rugged mechanical design, along with a host of convenient features, makes the high-performance AirGoggle NVC1000H series cameras ideal for professional security surveillance applications.

KEY FEATURES & BENEFITS

- ▶ **Dual-Codec supporting H.264 & Motion JPEG digital video compression standards**
- ▶ **Multi-profile streaming**
Up to 3 streams of different resolutions, frame rates and codec selections
- ▶ **IR Compatible Day and Night Operation**
The automatic day and night functionality with removable IR cut filter (ICR) and digital shutter speed (DSS) deliver optimal day time color video and high-quality black and white video in dark conditions
- ▶ **Mobile Phone Support**
Supports the latest Iphone & Android smart phones for real time 24x7 access to the video information most important to you
- ▶ **Automatic Continuous Scan, Tour, and Pattern Operation**
Designed for automatic continuous scan, tour, and pattern operation, this product is well suited for use in high demanding automatic 360-degree Pan-Tilt-Zoom applications
- ▶ **Simultaneous IP and CCTV Video Operation**
This has the interface connectivity for both IP and CCTV monitoring and recording systems
- ▶ **Intelligent Full Featured Pan Tilt Zoom and Programming**
Pan and tilt speeds are automatically adjusted based on zoom level during manual control to provide 0.024 degrees precision. Auto scan, 8 group tours, 165 preset positions, 8 programmable patterns and sectors, 24 privacy masking zones, and multiple I/O ports allows precise customized pan tilt zoom automation. Each preset locations can be individually programmed with the dwell time and pan/tilt speed
- ▶ **Auto-Flip**
Auto-flip functionality eliminates the mechanical stop limitation allowing for continuous panning operational and Tilt Operation overcomes mechanical limitation
- ▶ **High Speed Pan/Tilt Operation**
350 degrees per second continuous panning and 250 degrees per second tilting ensures fast transition to any of the 165 preset locations
- ▶ **Integrated Sensor, Alarm, and Relay Ports**
Integrated sensor input, alarm output, and video motion detection provides actionable event trigger able to send a video clip via email or FTP and turn on/off external relays
- ▶ **Power over Ethernet (PoE)**

APPLICATIONS



AIRPORTS
Regardless if it is inside or outside of an airport, Inscape Data offers total wired or wireless IP based video security solutions that will save on your installation cost and make your monitoring more efficient



METROPOLITAN STREETS
Inscape Data's wired and wireless IP based video security solutions will save on your installation cost and make the streets and metropolitan safer



BUILDINGS
Inscape Data's wired and wireless IP based video security solutions will save on your installation cost and make your buildings more secure

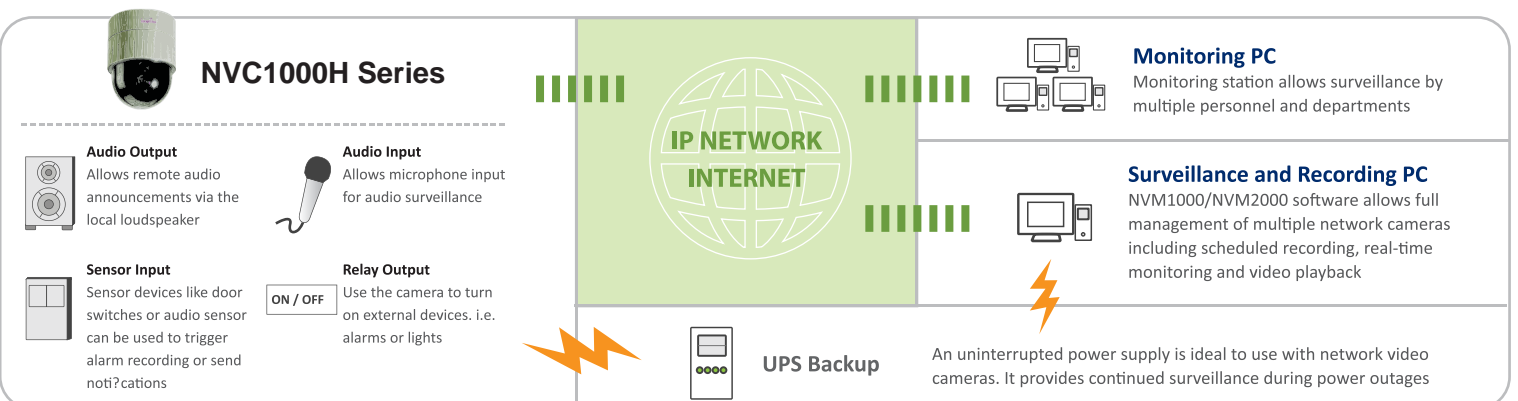


SCHOOL CAMPUS
Regardless if it is inside classrooms or on a campus, Inscape Data's wired and wireless IP based video security solutions will save on your installation cost and make monitoring easier

MODEL SELECTIONS

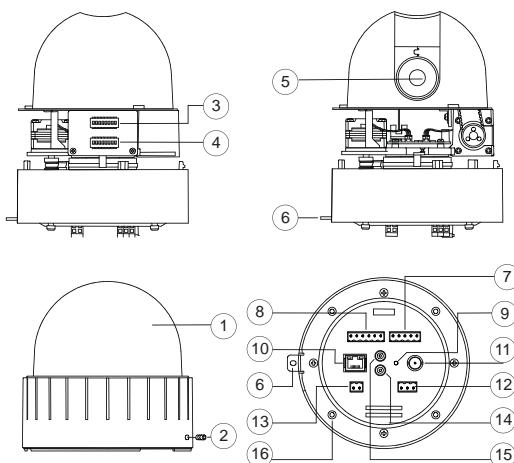
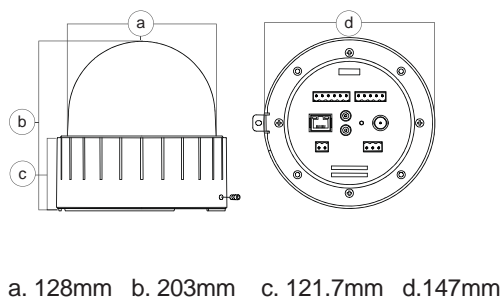
| Model | Color | D/N Day:color Night: Black/White | Wide Dynamic |
|------------|-------|----------------------------------|--------------|
| NVC1027H | ✓ | ✓ | |
| NVC1033H | ✓ | ✓ | |
| NVC1037H | ✓ | ✓ | |
| NVC1036WDH | ✓ | ✓ | ✓ |

SYSTEM CONFIGURATIONS



TECHNICAL SPECIFICATIONS

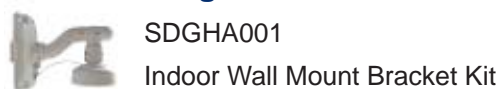
| | | NVC1027H | NVC1033H | NVC1037H | NVC1036WDH |
|---------------------------|---|--|--|--|--|
| Camera | Image Sensor | 1/4" Sony Exview HAD CCD | | | |
| | Scanning System | Interface | | | |
| | Horizontal resolution | 550 Color / 680 Black & White TV Lines | | | 530 TV Lines |
| | Lens | 27x Optical Zoom (F= 1.6 ~ 2.9, f=3.5 ~ 94.5mm) | 33x Optical Zoom (F= 1.6 ~ 3.6, f=3.5 ~ 115.5mm) | 37x Optical Zoom (F= 1.6 ~ 3.9, f=3.5 ~ 129.5mm) | 36x Optical Zoom (F=1.6 ~ 4.5, f=3.4 ~ 122.4mm) |
| | Horizontal Field of View | 49.1 degrees to 1.9 | 49.1 degrees to 1.6 | 49.1 degrees to 1.4 | 50.4 degrees to 1.5 |
| | Minimum Object Distance | 0.1 meter | | | |
| | DC Level Adjustment | 32 Level | | | |
| | Sharpness | 15 Level | | | |
| | Day & Night modes (-DN Model Only) | AUTO/DAY/NIGHT | | | |
| | Digital Slow Shutter | ON / OFF | | | |
| | Minimum Illumination | 0.14 Lux Color / 0.05 Lux B/W | 0.4 Lux Color / 0.2 Lux B/W | 0.7 Lux Color / 0.06 Lux B/W | 0.1 Lux Color / 0.01 Lux B/W |
| | Luminance S/N Ratio | More than 50dB | | | |
| | Video Control | Contrast, Brightness, Saturation, Hue | | | |
| | White Balance | ATW/AWC/MANUAL/OUTDOOR/INDOOR | | | |
| | Sense-Up | AUTO/FIXED/OFF | | | |
| | Digital Zoom | ON / OFF | | | |
| | Digital Noise Reduction | OFF/ON 32 Level | | | |
| | Auto Gain Control | ON / OFF | | | |
| | BLC | ON / OFF | | | |
| | Flickerless | ON / OFF | | | |
| 180 Degree Video Rotation | ENABLE/DISABLE | | | | |
| Privacy Masking | Yes | | | | |
| OSD Time Display | ON / OFF 4 Position | | | | |
| Pan Rotation Angle | 360° Endless | | | | |
| Pan Speed | Manual | 0.5° ~ 200°/sec (64step) | | | |
| | Preset | Max 300° /sec | | | |
| Tilt Rotation Angle | -2° ~ 90° | | | | |
| Tilt Speed | Manual | 0.5° ~ 45°/sec (64step) | | | |
| | Preset | Max 250° /sec | | | |
| System Accuracy | 0.024° / 1/8 microsteps resolution | | | | |
| Presets | 165 positions, individually configurable for dwell and speed | | | | |
| Group Tour | Max. 8 Programmable group tours - up to 60 preset points each | | | | |
| Auto scan | Programmable Auto scan | | | | |
| Pattern | 8 Programmable Patterns (total 480 seconds) | | | | |
| Privacy Zone | 8 | 8 | 8 | 24 | |
| Sector | 8 selectable Sectors with 16 characters | | | | |
| Password Protection | Yes | | | | |
| Alarm Input | 4 alarms OFF/NC/NO (with various programmable states) | | | | |
| Alarm Actions | Activate preset, Group scanning or output per alarm input | | | | |
| Aux Output | 2 Replay Output | | | | |
| Auto Flip | ON / OFF | | | | |
| OSD Menu | Multiple Languages on screen | | | | |
| Compression Format | Dual Codec H.264 & MJPEG Up to 30/25 fps | | | | |
| Resolution | NTSC: D1(720x480), Half D1(720x240), CIF (352x240), QCIF (176 x 144) PAL: D1(720x576), Half D1(720x288), CIF(352x288), QCIF(176x144) | | | | |
| Maximum Frame Rate | Up to 30/25 at all resolutions Configurable to 1, 4, 8, 15, 20, 30 fps | | | | |
| Video Encoding Rates | 32kbps ~ 3000 kbps | | | | |
| Audio | Audio Compression | Upstream: 32kbps G.726 ADPCM Line-In & Mic-In ENABLE/DISABLE | | | |
| | | Downstream: 128kbps 16-bit Linear PCM - Lin-Out | | | |
| Network | Protocols | HTTP, HTTPS, Upnp, SOCKS, TCP/IP v4/v6, RTSP, RTPC, SDP, UDP, IGMP, ICMP, ICMP v6, SMTP, FTP, DHCP, ARP, RARP, DNS, NTP, PPPoE | | | |
| | Other network settings | Clone MAC address, HTTP/RTSP Port change | | | |
| | Maximum User Access @ Video Rate | 40@160kbps, 14@512kbps, 7@1000kbps, 2@3000 kbps | | | |
| | Security | Multi-User Viewing Authentication, IP Address filtering, HTTPS Encryption, Digest Authentication, User Access Log | | | |
| | Alarm and Event Management | Event Trigger Email, FTP, or Recording Based on Video Motion Detection or External Sensor Input | | | |
| | Embedded Web Server | Instant access to live streaming video & full p/t/z functionality via Internet Explorer | | | |
| | Data Transmission | Unicast | | | |
| | Pre / Post Alarm Recording | 5/5 seconds | | | |
| Dynamic DNS Management | Supported via free service at mgmt.airgoggle.com | | | | |
| Interface | Network | 10 BaseT / 100BaseTx | | | |
| | Serial | RS-485 | | | |
| | I/O Port(s) | 4 x 2-pin sensor input, 2 x 2-pin relay output | | | |
| | Audio Line Output | 1 port 3.5 mm 3 conductor Mini-jack (tip, ring, sleeve) 0.886Vp-p | | | |
| | Audio Line Input | 1 port 3.5 mm 3 conductor Mini-jack (tip, ring, sleeve) 1.6Vp-p | | | |
| | Composite Video Out | BNC, Composite (1 V p-p), 75 Ohm | | | |
| | Power Connector Type | 2-pin | | | |
| Hardware Reset | Internal | | | | |
| System Requirements | Operating System | Microsoft Windows 2000 / XP / 2003 / Vista / Windows 7 | | | |
| | Processor / Memory | CPU: Intel Duo Core / 1GB | | | |
| | Network Video Recorder Software - 16 Ch. | CPU: Intel Core i3 / 2GB / 256MB Dedicated Video Memory | | | |
| Management | Browser | Microsoft Internet Explorer Ver 7.0 or higher | | | |
| | HTTP | Yes | | | |
| Environmental | Software | Yes | | | |
| | Construction | ABS/PMMA, Cool Gray | | | |
| | Camera Dimension(W x H x D) | 147 x 202mm (6" x 8") | | | |
| | Weight | 1.9kg (4lbs) | | | |
| | Storage Temperature | -20°C~70°C (-4°F ~158°F) | | | |
| | Operating Temperature | -10°C~50°C (14°F ~122°F) | | | |
| Power | Operating Humidity | 8 ~80% RH Non-Condensing | | | |
| | Power Consumption | 24VAC, 1A 24W | | | |
| | Power Supply (Local) | 24VAC / 2.5A | | | |
| | Power Supply (PoE) | IEEE 802.3at | | | |
| Compliance | FCC, CE, MIC, ROHS | | | | |



1. Dome Cover
2. Lock Screw
3. DIP Switch 1
4. DIP Switch 2
5. Zoom Lens
6. Lock Holder
7. Relay output Connector
8. Alarm/Sensor input connector
9. Power LED
10. Ethernet Port
11. Video Output Connector
12. Power Connector - 24VAC
13. RS485
14. Audio / MIC Line IN
15. Audio Line Out

MOUNTING OPTIONS

Wall Mounting



Wall Mounting with Junction Box



Wall Mounting with Junction Box & Wiring Kit*



*Wiring kit junction box for Ethernet, Power, Relay, I/O Port, RS485

Pole Mounting



Corner Mounting



Embedded Mounting



Embedded Mounting



COMPATIBILITY

NVM1000*



NVR100*



NVM2000**



PTC800**



* Included with purchase

** Available for purchase

PACKAGE CONTENTS

1. Ceiling Mount Bracket / Cover
2. Transparent Bubble
3. I/O, Audio, Terminal Block
4. Product CDROM
5. Power Supply

ACCESSORIES: SPEED DOME BUBBLES



THE LEADING
OUTDOOR NETWORK
APPLIANCE COMPANY

Product Information Online: <http://www.inscapedata.com/nvc1000.htm>

Corporate Headquarters
1620 Oakland Road, Suite D101, San Jose, CA 95131, U.S.A.
PHONE +1.408.392.9800 FAX +1.408.392.9812
EMAIL sales@inscapedata.com

Total Turnkey Solutions for Outdoor PoE, Wired/Wireless, and IP Video Applications