

LinkPower™ LPS3000

All Weather Remote Rebootable 5-Port Gigabit PoE Switch



The LinkPower™ LPS3000 All Weather Remote Rebootable 5-Port Gigabit PoE (Power over Ethernet) Switch is the industry first outdoor weatherproof high speed gigabit Ethernet switch that delivers data, remote rebootable and power over one single network cable protected with an IP67 compliant weatherproof enclosure. The LPS3000 gigabit PoE switch is designed for industrial and commercial applications, e.g., video surveillance, remote security, wireless mesh, and carrier wifi installations.

The LPS3000 Gigabit PoE All Weather Remote Rebootable Switch is a manageable network switch with Link Aggregation, VLAN, Trunking, and QoS technology to meet the accelerating demand for powering the most demanding outdoor PoE devices. In addition, the LPS3000 supports IEEE802.1g VLAN and port based IEEE 802.1p QoS. The LPS3000 provides LED displays that show device status for easy power management and troubleshooting. The PoE technology conveniently eliminates the need to install networked devices, such as Inscape Data's IP cameras and SB54/BR54, and SB3000/BR3000 wireless products, thereby reducing equipment and installation costs. The LPS3000 Gigabit All Weather Remote Rebootable PoE Switch offers the following key features.

APPLICATIONS



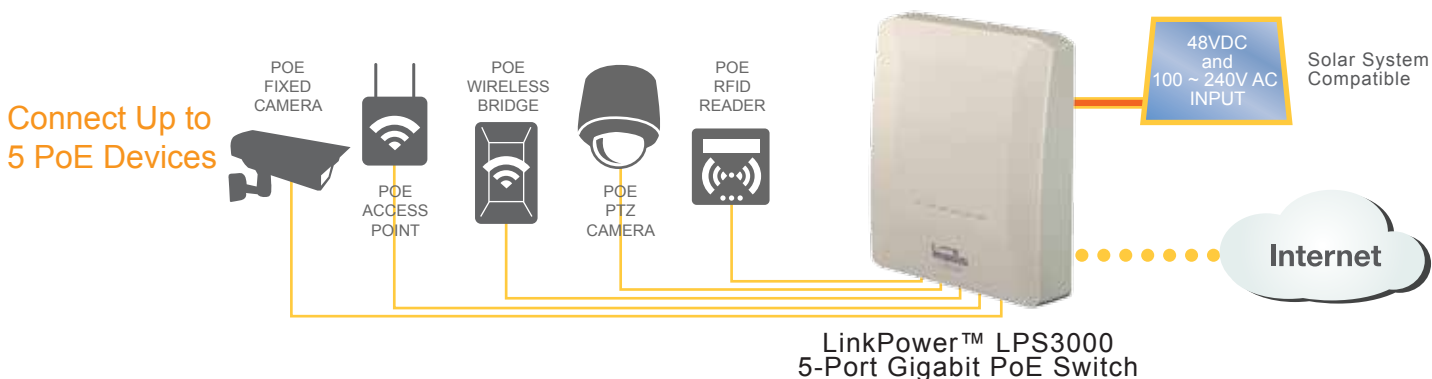
- Parking Lot Surveillances
- Campus Networks
- Fixed Wireless Networks
- Border Security Surveillance
- Municipal Networks
- Hospitality Networks
- Hotel Resort Networks
- Hotspot Integrations
- VOIP Services
- Traffic Monitoring

KEY PRODUCT FEATURES

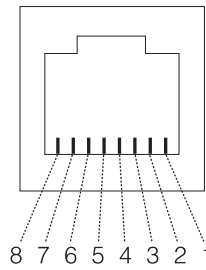
- **IEEE 802.3at Type 2 Power over Ethernet (PoE) Standard**
- **Support IEEE802.1p QoS & IEEE802.1q**
- **5 x 10/100/1000Mbps Auto-Negotiation and Auto-MDIX Gigabit Power over Ethernet RJ45 ports**
- **Supports PoE Power Maximum 25.3 Watts and 57 Volts for Each PoE Port**
- **Remote PD Power Cycle** - Remotely Turn Power On and Off PoE Device Connected to the LPS3000 Product
- **Remote AC Power Cycle** - Remotely Turn Power On and Off the AC Power Port
- **Heartbeat Monitor** - Monitor the System at a Regular Interval, Reboot Automatically When the System Fails
- **Auto Ping** - User Configurable Auto Ping, Powered Port Reset Automatically, When Ping Fails. LPS3000 Remote AC Power Reboot Automatically
- **Remote System Reset** - Remote Reset the System From Across the Network
- **Integrated Industrial Ethernet Surge Protection** - 132A Peak Pulse Current Protection On Every Ethernet Port
- **Integrated Industrial AC Port Surge Protection**
- **All Weather Enclosure*** - IP67 Compliant Rating And Water Tight Connectors Based On Patent Pending Technology
- **External LEDs** - Highly Visible LED Indicator for Ethernet Link, PoE Power, System Power, & AC Output Port.
- **Redundant DC Power Input**

* When used with the included watertight connector kit

SYSTEM CONFIGURATIONS



| Hardware Specifications | |
|------------------------------|---|
| Standard | IEEE802.3 10Base-T, IEEE802.3u 100Base-TX, IEEE 802.3z 1000Base-T |
| | IEEE802.1Q Tag-VLAN, IEEE 802.1D Spanning Tree, IEEE 802.1w Rapid Spanning Tree, IEEE802.1s Multiple VLAN Spanning Tree Programmable per-port VLAN Configurations |
| | IEEE 802.1x (MDS), IEEE 802.1p QoS |
| | IEEE 802.3x Flow Control, IEEE 802.1D Port States Filtering |
| | IEEE802.3at Power over Ethernet |
| | IEEE802.1q VLAN |
| | IEEE802.1p QoS |
| | SNMP v.2c |
| Network Media | 10Mbps: Cat 3,4,5 Unshielded Cable |
| | 100Mbps: Cat 5, 5E, 6 Unshielded Cable |
| | 1000Mbps: Cat 5E, 6 Unshielded cable |
| Protocol / Topology | CSMA/CD ; Star |
| Interface | 5x 10/100/1000Mbps Auto-MDIX PoE ports |
| On-Chip Memory | 1Mbit on-chip memory with true non-blocking switching performance |
| | Up to 8K MAC address entries for lookup engineer with automatic learning and aging |
| Data Transfer Rate | Ethernet: 10/20Mbps (half/full duplex) |
| | Fast Ethernet: 100/200Mbps (half/full duplex) |
| | Gigabit: 2000Mbps (full duplex) |
| RAM Buffer /Filtering | Support up to 10K Byte jumbo frames |
| | Up to 8K active nodes |
| | 1Mbit frame buffer memory |
| Switch Fabric | 10G forwarding capacity |
| Power | Input: 100~240VAC, 50/60Hz internal power supply |
| | Per Unit: Power |
| Diagnostic LEDs | Per Port: Link/Activity, Speed |
| | PoE: PoE Fault / PoE Operating |
| Power Consumption | 150 watts max (with PoE Device connected) |
| Humidity | 5%- 90% (non-condensing) |
| Temperature Range | Operating: -40°C to 85°C |
| | Storage: -20°C to 85°C |
| PoE | |
| Power over Ethernet | IEEE802.3at 25.3W, 57VDC maximum (Ports 1- 5), type 2 |
| Certification | 60950, 60601-1 |



PD and PSE Eight-Pin RJ45 Modular Jack

| PSE Pinout | | |
|---------------------|----------------|----------------|
| RJ45 Conductor Pin# | 802.3at Mode A | 802.3at Mode B |
| 1 | TxRx A+ DC+ | TxRx A+ |
| 2 | TxRx A- DC+ | TxRx A- |
| 3 | TxRx B+ DC- | TxRx B+ |
| 4 | TxRx C+ | TxRx C+ DC+ |
| 5 | TxRx C- | TxRx C- DC+ |
| 6 | TxRx B- DC- | TxRx B- |
| 7 | TxRx D+ | TxRx D+ DC- |
| 8 | TxRx D- | TxRx D- DC- |

| PD Pinout | | |
|---------------------|----------------|----------------|
| RJ45 Conductor Pin# | 802.3at Mode A | 802.3at Mode B |
| 1 | TxRx A+ DC+ | TxRx A+ |
| 2 | TxRx A- DC+ | TxRx A- |
| 3 | TxRx B+ DC- | TxRx B+ |
| 4 | TxRx C+ | TxRx C+ DC+ |
| 5 | TxRx C- | TxRx C- DC+ |
| 6 | TxRx B- DC- | TxRx B- |
| 7 | TxRx D+ | TxRx D+ DC- |
| 8 | TxRx D- | TxRx D- DC- |

PACKAGE CONTENTS

1. LinkPower LPS3000
2. Read Me First
3. Important Note for Reverse Polarity PoE Pinout
4. Quick Install Guide
5. Resource CD with Console Port Driver, QIG, User's Manual, etc.
6. Warranty Information
7. ECK0001 Ethernet Connector Kit
8. PCC0001 Power Cable Connector Kit
9. PCK0001 Power Cable Kit
10. CK0001 Plastic Conduit Kit
11. MWMK0001 Mast & Wall Mounting Kit

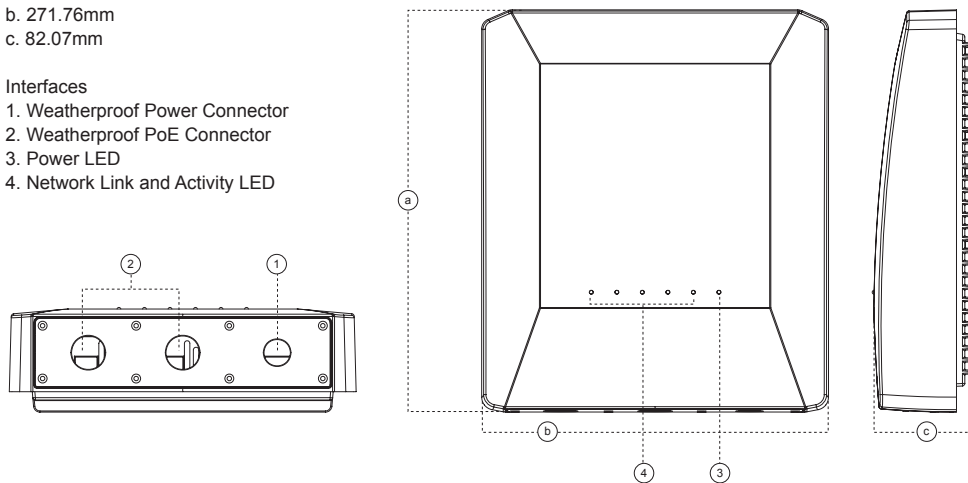
OPTIONAL ACCESSORIES

1. ZMEC0001
Zinc Metal Ethernet Connector I
2. ZMPC0001
Zinc Metal Power Connector Kit
3. MCEC0001
Steel Flexible Metal Conduit for Ethernet Connector Kit
4. MCPC0001
Steel Flexible Metal Conduit for Power Connector Kit

SYSTEM DIMENSIONS & INTERFACES

- Dimensions
- a. 315.17mm
 - b. 271.76mm
 - c. 82.07mm

- Interfaces
1. Weatherproof Power Connector
 2. Weatherproof PoE Connector
 3. Power LED
 4. Network Link and Activity LED



THE LEADING
OUTDOOR NETWORK
APPLIANCE COMPANY

Product Information Online: <http://www.inscapedata.com/lps2000-3000.htm>

Corporate Headquarters
1620 Oakland Road, Suite D101, San Jose, CA 95131, U.S.A.
PHONE +1.408.392.9800 FAX +1.408.392.9812
EMAIL sales@inscapedata.com

Total Turnkey Solutions for Outdoor PoE, Wired/Wireless, and IP Video Applications